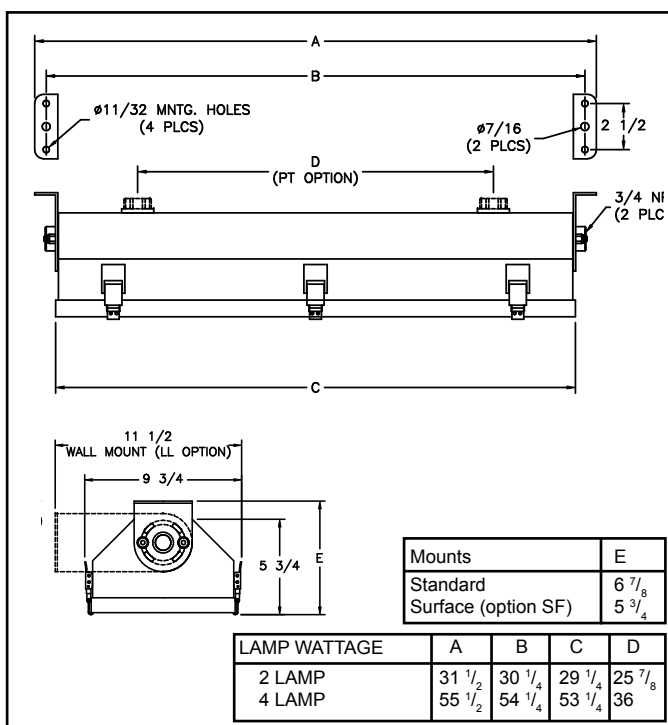


## FEATURES

- ▼ Positive-locking spring loaded stainless steel latches and a one piece neoprene gasket provide a watertight seal.
- ▼ Available in two and four lamp units.
- ▼ Supplied in 120v 60Hz HPF as standard. Other options in 220v 50Hz, 220v 60Hz and 277v 60Hz also available.
- ▼ Versions available in 40w and 55w compact fluorescent.
- ▼ Adjustable mounting brackets allow a 110° range of mounting positions.
- ▼ Low temperature rated ballast 0° F (-18° C) standard.
- ▼ Emergency versions available (CSA only).
- ▼ 5 year warranty.

## DIMENSIONS



Dimensions in inches

## APPROVALS

- ▼ UL 844 - Hazardous Location  
Class I Division 2 Groups A, B, C and D  
Class I Zone 2 Groups IIA, IIB, IIB+ H2 and IIC
- ▼ UL 1598A - Marine Outside Type Saltwater
- ▼ CSA  
Class I Division 2, Groups A, B, C and D  
Class II Division I, Groups E, F and G  
Class III
- ▼ IP 66
- ▼ Type 4X
- ▼ ABS

## APPLICATIONS

- ▼ Hazardous Locations
- ▼ Marine and wet environments
- ▼ Offshore oil and gas exploration and production
- ▼ Salt and potash mines
- ▼ Water treatment facilities
- ▼ Industrial wash pits
- ▼ Salt and potash mines
- ▼ Petrochemical

## OPTIONS

To obtain a luminaire with any of the options listed below, please add the following suffix to the part number (not all options can be combined):

- ▼ Type 316 Stainless Steel Housing /316
- ▼ Terminal Block T
- ▼ Shock Mount SM
- ▼ Surface Mount SF
- ▼ Wall Mount LL
- ▼ Pendant Mount 3/4" NPT PT
- ▼ Tempered Glass Lens TG
- ▼ Dual Safety Cable Attachment Points W
- ▼ Emergency Ballast (1 lamp) EM\*
- ▼ Fused Ballast (not for marine use) F
- ▼ 120-277 50/60Hz -127
- ▼ 220VAC 50Hz -225
- ▼ 220VAC 60Hz -226
- ▼ 277VAC 60Hz -276

\* CSA only.



**LUMINAIRE TECHNICAL SPECIFICATIONS**

**HOUSINGS**

Available in type 304 stainless steel with a natural finish and stainless steel mounting fittings or in copper free aluminum with an oven-cured polyester powder coated finish and aluminum mounting fittings with a natural finish. Ensure the suffix "A" appears in the ordering reference for aluminum luminaires and "S" for stainless steel, or "316" for type 316 stainless steel.

**LENS FRAME AND LATCHES**

Stainless steel for all types.

**LENS**

Polycarbonate flat lens as standard.

**REFLECTOR**

White high gloss powder coated aluminum.

**OUTLETS**

All units are supplied with two 3/4" NPT outlets, one plugged, providing a thru-feed service where required.

**MOUNTINGS**

Through (4)  $\varnothing$  1 1/32" or (2)  $\varnothing$  7/16" mounting holes provided on the adjustable brackets.

**GASKETS**

One piece neoprene gasket provides a watertight seal between the lens and housing.

**BALLAST**

A High Power Factor (HPF) 120v 60Hz ballast is supplied as standard, rated for starting in temperatures down to -18° C (0° F). Other voltage options and emergency ballasts also available. All ballast electronic.

**LAMP TYPE**

All luminaires supplied with lamps.

**AMBIENT & OPERATING TEMPERATURE**

40w and 55w versions rated at 40°C ambient temperature. 36w two and four lamp versions temperature code T4A. 55w two and four lamp versions temperature code T3.

**ORDERING REFERENCES**

COMPACT FLUORESCENT LUMINAIRES						
DESCRIPTION	NO OF LAMPS	LAMP TYPE	FWFC ALUM	WT (lbs) ALUM	FWFC SS	WT (lbs) SS
40w	Two	F40BX	FWFC240A	15.1	FWFC240S	20.4
	Four		FWFC440A	23.2	FWFC440S	34.0
55w	Two	F55BX	FWFC255A	15.1	FWFC255S*	20.4
	Four		FWFC455A	23.2	FWFC455S*	34.0

\* CSA only.

SPARE PARTS		
<b>BALLASTS 120V AC 60HZ</b> 2 x 40w      FX5272 2 x 55w      FX5276	<b>LAMPS</b> 40w              FX3533 55w              FX3547	<b>BEAM CLAMP KIT</b> (Safety Cable & Cord Connector) FX7028
<b>EMERGENCY BALLAST</b> 120-227v AC      FX5128HDU	<b>LAMP HOLDERS</b> FX4043	<b>GASKETS</b> 29 1/4"              GKT6088-69.5 53 1/4"              GKT6088-117.5
<b>FLAT LENS</b> 29 1/4"              FX2134 53 1/4"              FX2135	<b>MOUNTS</b> Wall                  FX7031S/A Standard              FX7027S/A Surface                  FX7022S/A Pipe Mount Kit      FX7023 Chain Mount Kit    FX7025 Shock Mount        FX7004A	