

## FEATURES

- ▼ Positive-locking spring loaded stainless steel latches and a one piece neoprene gasket provide a watertight seal.
- ▼ Shoc•Loc™ bi-pin spring loaded lampholders for double ended lamps provide a positive contact and resistance to shock and vibration while maintaining positive electrical pin contact. Standard for T5, T8 and T12 lamp types.
- ▼ Available in one, two and three lamp units.
- ▼ Supplied in 120v 60Hz HPF as standard. Other options in 220v 50Hz, 220v 60Hz and 277v 60Hz also available.
- ▼ Available in 17w, 18w, 20w, 24w, 32w, 35w, 36w, 40w, 44w, 54w and 60w fluorescent.
- ▼ Adjustable mounting brackets allow a 110° range of mounting positions.
- ▼ Low temperature rated ballast 0° F (-18° C) standard on T5 and T8; T12 HO linear fluorescents -20° F (-29° C).
- ▼ Emergency versions available.
- ▼ 5 year warranty.

## APPROVALS

- ▼ UL 844 - Hazardous Location  
 Class I Division 2 Groups A, B, C and D  
 Class I Zone 2 Groups IIA, IIB, IIB+ H2 and IIC
- ▼ UL 924 - Emergency Lighting Equipment
- ▼ UL 1598A - Marine Outside Type Saltwater
- ▼ CSA  
 Class I Division 2, Groups A, B, C and D  
 Class II Division I, Groups E, F and G  
 Class III
- ▼ IP 66
- ▼ Type 4X
- ▼ ABS

## APPLICATIONS

- ▼ Hazardous Locations
- ▼ Marine and wet environments
- ▼ Offshore oil and gas exploration and production
- ▼ Salt and potash mines
- ▼ Water treatment facilities
- ▼ Industrial wash pits
- ▼ Salt and potash mines
- ▼ Petrochemical

## OPTIONS

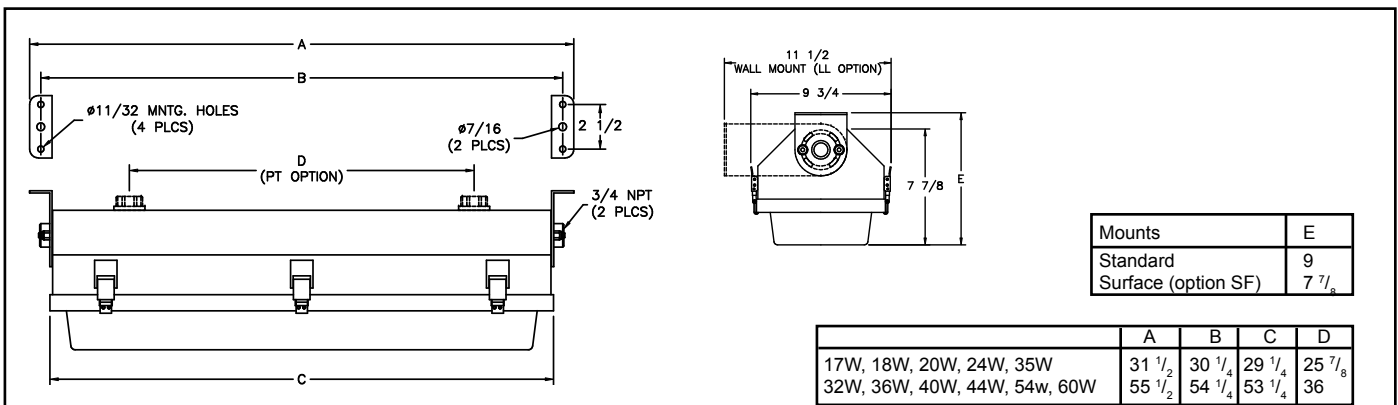
To obtain a luminaire with any of the options listed below, please add the following suffix to the part number (not all options can be combined):

|  |       |
|--|-------|
| ▼ 316 Grade Stainless Steel Housing              | /316  |
| ▼ Terminal Block                                 | T     |
| ▼ Shock Mount                                    | SM    |
| ▼ Surface Mount                                  | SF    |
| ▼ Wall Mount                                     | LL    |
| ▼ Pendant Mount 3/4" NPT                         | PT    |
| ▼ Polycarbonate drop lens                        | X     |
| ▼ Stainless Steel Safety Cable Attachment Points | W     |
| ▼ Emergency Ballast (1 lamp)                     | EM*   |
| ▼ Emergency Ballast (2 lamps)                    | EM2** |
| ▼ Fused Ballast (not for marine use)             | F     |
| ▼ 120-277VAC 50/60 Hz (17, 24, 32 & 54w)         | -127  |
| ▼ 120-277 50/60Hz (17, 24, 32 & 54w)             | -127  |
| ▼ 220VAC 50Hz                                    | -225  |
| ▼ 220VAC 60Hz                                    | -226  |
| ▼ 277VAC 60Hz                                    | -276  |

\* 24w or 54w Marine Only.

\*\* Not available in 24w, 35w, 54w or 60w.

## DIMENSIONS



Dimensions in inches

# HAZARDOUS LOCATIONS CLASS I DIVISION 2 OUTSIDE TYPE SALTWATER MARINE STAINLESS STEEL AND ALUMINUM FLUORESCENT LUMINAIRES WITH DROP LENS



## LUMINAIRE TECHNICAL SPECIFICATIONS

### HOUSING

Available in stainless steel with a natural finish and stainless steel mounting fittings or in copper free aluminum with an oven-cured polyester powder coat protective finish and aluminum mounting fittings with a natural finish.

### LENS FRAME AND LATCHES

Stainless steel for all types.

### LENS

High impact resistant DR acrylic drop lens.

### REFLECTOR

White high gloss powder coated aluminum.

### LAMP HOLDERS

Shoc♦Loc™ bi-pin spring loaded lampholders for double ended lamps provide a positive contact and resistance to shock and vibration while maintaining positive electrical pin contact. Standard for T5, T8 and T12 lamp types.



### GASKETS

One piece neoprene gasket provides a watertight seal between the lens and housing.

### BALLAST

A High Power Factor (HPF) 120v 60Hz ballast is supplied as standard. 17w, 20w, 24w, 32w, 40w and 54w luminaires are rated for starting in temperatures down to -18°C (0°F). 35w, 44w (solid state) and 60w luminaires are rated for temperatures down to -29°C (-20°F). 18w and 36w are available in 230v 50Hz only. Other voltage options and emergency ballasts also available. All ballast electronic with the exception of 20w T12. Magnetic ballasts are available, please contact factory.

### LAMP TYPE

T5, T8 and T12 fluorescent lamps as standard dependent on wattage. All luminaires supplied with lamps.

### MOUNTINGS

Through (4)  $\varnothing$   $1\frac{1}{32}$ " or (2)  $\varnothing$   $7\frac{1}{16}$ " mounting holes provided on the adjustable brackets.

### OUTLETS

All units are supplied with two  $\frac{3}{4}$ " NPT outlets, one plugged, providing a thru-feed service where required.

### AMBIENT & OPERATING TEMPERATURE

17, 18, 20 & 32 watt are rated at 40/55° C with a temperature code of T5/T4A. The 35, 36, 40, 44 & 60 watt are rated 40° C, T3C, except the 3 lamp 35 & 60 watt luminaires are rated 25° C, T3C.

## ORDERING REFERENCES

| FLUORESCENT LUMINAIRES     |                     |               |                               |                      |                               |                      | SPARE PARTS  |  |  |  |
|----------------------------|---------------------|---------------|-------------------------------|----------------------|-------------------------------|----------------------|--|--|--|--|
| DESCRIPTION                | NO OF LAMPS         | LAMP TYPE     | FWN ALUM                      | WT (lbs)             | FWN SS                        | WT (lbs)             | BALLASTS<br>120V AC 60HZ   |  | LAMPS  |  |
| 17 watt<br>T8<br>24" Lamp  | One<br>Two<br>Three | F17T8         | FWN117A<br>FWN217A<br>FWN317A | 12.0<br>12.0<br>17.7 | FWN117S<br>FWN217S<br>FWN317S | 20.5<br>20.8<br>23.6 | 1 x 17w<br>2 x 17w<br>1 x 20w<br>2 x 20w<br>1 x 24w<br>2 x 24w<br>1 x 32w<br>2 x 32w<br>1 x 35w<br>2 x 35w<br>1 x 40w<br>2 x 40w<br>1 x 44w<br>2 x 44w<br>1 x 54w<br>2 x 54w<br>1 x 60w<br>2 x 60w | FX5173<br>FX5260<br>FX5058<br>FX5032<br>FX5307<br>FX5307<br>FX5173H<br>FX5260H<br>FX5100<br>FX5027<br>FX5054<br>FX5010<br>FX5287<br>FX5287<br>FX5305<br>FX5305<br>FX5044<br>FX5027 | 17w<br>18w<br>20w<br>24w<br>32w<br>35w<br>36w<br>40w<br>44w<br>54w<br>60w  | FX3528<br>FX3562<br>FX3506<br>FX3568<br>FX3527<br>FX3507<br>FX3557<br>FX3504<br>FX3565<br>FX3567<br>FX3505 |
| *18 watt<br>T8<br>24" Lamp | One<br>Two<br>Three | F18T8         | FWN118A<br>FWN218A<br>FWN318A | 15.7<br>15.9<br>19.7 | FWN118S<br>FWN218S<br>FWN318S | 21.5<br>21.8<br>25.6 | 1 x 18w<br>2 x 18w<br>1 x 36w<br>2 x 36w   | FX5237<br>FX5239<br>FX5238<br>FX5240   | <b>GASKETS</b><br>29 1/4" GKT6088-69.5<br>53 1/4" GKT6088-117.5  |  |
| 20 watt<br>T12<br>24" Lamp | One<br>Two<br>Three | F20T12        | FWN120A<br>FWN220A<br>FWN320A | 15.7<br>14.0<br>19.9 | FWN120S<br>FWN220S<br>FWN320S | 21.6<br>21.9<br>25.7 | <b>230V AC 50HZ</b><br>1 x 18w<br>2 x 18w<br>1 x 36w<br>2 x 36w  |  | <b>MOUNTS</b><br>Wall FX7031S/A<br>Standard FX7027S/A<br>Surface FX7022S/A<br>Pipe Mount Kit FX7023<br>Chain Mount Kit FX7025<br>Shock Mount FX7004A |  |
| 24 watt<br>T5<br>24" Lamp  | One<br>Two<br>Three | F24T5<br>/HO  | FWN124A<br>FWN224A<br>FWN324A | 14.6<br>14.9<br>17.7 | FWN124S<br>FWN224S<br>FWN324A | 20.5<br>20.8<br>23.6 | <b>EMERGENCY BALLAST</b><br>120-277v AC FX5128H DU   |  | <b>BEAM CLAMP KIT<br/>(Safety Cable &amp; Cord Connector)</b><br>FX7028  |  |
| 32 watt<br>T8<br>48" Lamp  | One<br>Two<br>Three | F32T8         | FWN132A<br>FWN232A<br>FWN332A | 20.8<br>21.3<br>24.3 | FWN132S<br>FWN232S<br>FWN332S | 31.6<br>32.1<br>35.1 | <b>LAMP HOLDERS</b><br>35w, 44w, 60w<br>17w, 18w, 20w, 24w, 32w, 36w, 40w, 54w   |  | Stationary FX4004<br>Spring FX4005<br>FX4008 FX4009  |  |
| 35 watt<br>T12<br>24" Lamp | One<br>Two<br>Three | F24T12<br>/HO | FWN135A<br>FWN235A<br>FWN335A | 16.6<br>16.9<br>15.5 | FWN135S<br>FWN235S<br>N/A     | 23.0<br>23.4<br>N/A  |  |  |  |  |
| *36 watt<br>T8<br>48" Lamp | One<br>Two<br>Three | F36T8         | FWN136A<br>FWN236A<br>FWN336A | 21.8<br>22.3<br>26.3 | FWN136S<br>FWN236S<br>FWN336S | 32.6<br>33.1<br>37.1 |  |  |  |  |
| 40 watt<br>T12<br>48" Lamp | One<br>Two<br>Three | F40T12        | FWN140A<br>FWN240A<br>FWN340A | 21.9<br>21.0<br>26.0 | FWN140S<br>FWN240S<br>N/A     | 32.7<br>32.0<br>N/A  |  |  |  |  |
| 44 watt<br>T8<br>48" Lamp  | One<br>Two<br>Three | F48T8<br>/HO  | FWN144A<br>FWN244A<br>FWN344A | 22.3<br>22.8<br>27.4 | FWN144S<br>FWN244S<br>N/A     | 33.1<br>33.6<br>N/A  |  |  |  |  |
| 54 watt<br>T5<br>48" Lamp  | One<br>Two<br>Three | F54T5<br>/HO  | FWN154A<br>FWN254A<br>FWN354A | 20.8<br>21.3<br>24.3 | FWN154S<br>FWN254S<br>FWN354S | 31.6<br>32.1<br>35.1 |  |  |  |  |
| 60 watt<br>T12<br>48" Lamp | One<br>Two<br>Three | F48T12<br>/HO | FWN160A<br>FWN260A<br>FWN360A | 19.0<br>18.5<br>13.5 | FWN160S<br>FWN260S<br>N/A     | 33.6<br>33.3<br>N/A  |  |  |  |  |

\* Available in 230v 50Hz only.