



FEATURES

- ▼ Wall mounted mirror/berth luminaire for a 60w A-19 incandescent lamp.
- ▼ Corrosion resistant housing in copper free aluminum with white polycarbonate end caps.
- ▼ Adjustable reflector allows flexible directing of light.
- ▼ Supplied with a 15 Amp 125v convenience outlet.
- ▼ High gloss reflector coating gives maximum illuminance.
- ▼ Double pole switch as standard.
- ▼ 5 year warranty.

APPROVALS

- ▼ UL 1598A - Marine Inside Type
- ▼ ABS
- ▼ Conforms to IP 20

APPLICATIONS

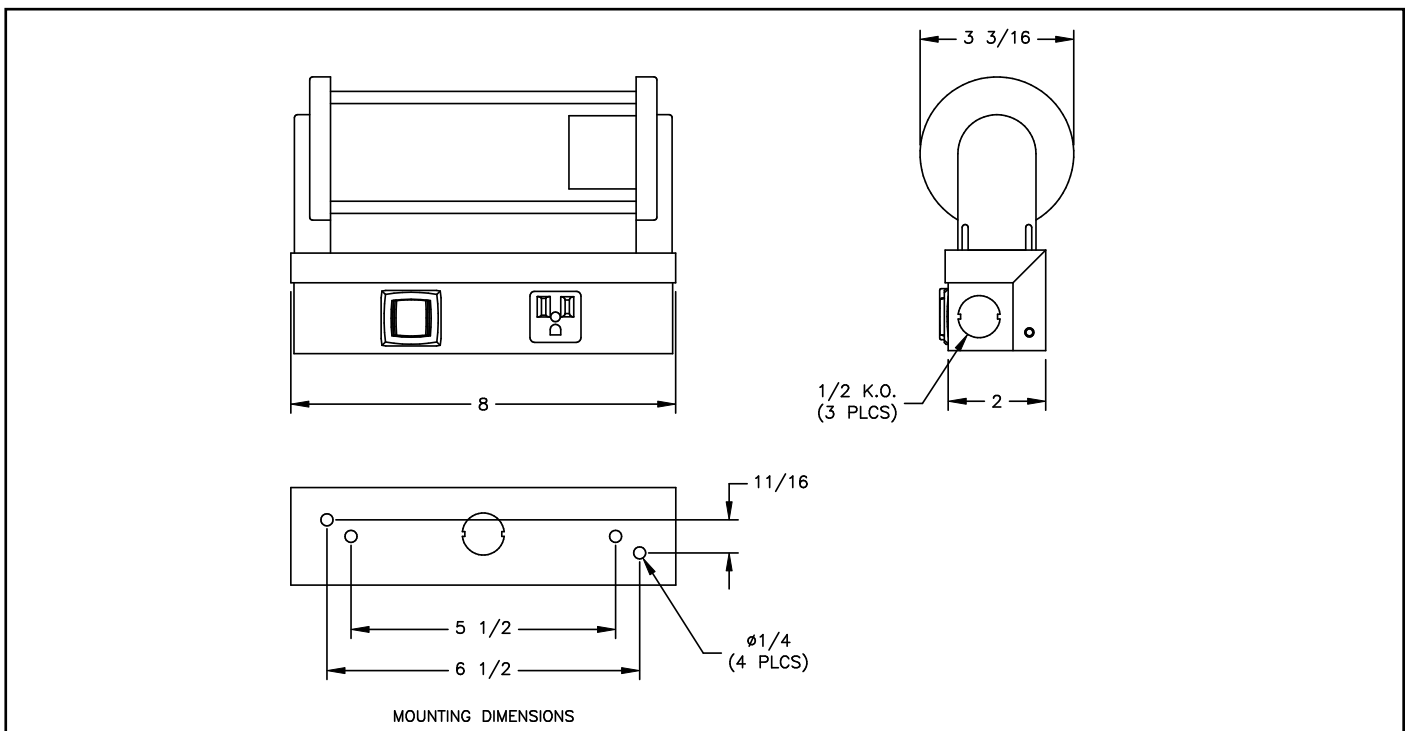
- ▼ Marine environments
- ▼ Offshore oil and gas platforms
- ▼ Drill ships and exploration vessels
- ▼ Tankers/ships
- ▼ Berth/cabin lighting
- ▼ Mirror lighting

OPTIONS

To obtain a luminaire with any of the options listed below, please add the following suffix to the part number:

- ▼ Fixture without a 15A 125v Grounded Receptacle LCO

DIMENSIONS



Dimensions in inches



INSIDE TYPE BERTH/MIRROR INCANDESCENT LIGHT FIXTURE

LUMINAIRE TECHNICAL SPECIFICATIONS

HOUSING

Copper free aluminum with an oven-cured polyester powder coat white high gloss protective finish with white polycarbonate end caps.

OUTLETS

All units are supplied with three 1/2" knockouts.

LAMPHOLDER

A porcelain lampholder is supplied.

OPERATING VOLTAGE

All luminaires are rated to operate up to 250v AC 60Hz.

LAMP TYPE

The luminaire is suitable for use with a 60w max A-19 lamp.

REFLECTOR

An adjustable reflector is supplied as standard. For berth and mirror lighting this allows for flexible positioning of the illumination.

SWITCH

A double pole switch is provided as standard.

MOUNTING

The luminaire is designed for wall mounting

CONVENIENCE OUTLET

A 15A 125v outlet is supplied on each luminaire. Fixtures can be supplied without this outlet.

ORDERING REFERENCES

INCANDESCENT LUMINAIRES			
DESCRIPTION	LAMP SIZE	WEIGHT (lbs)	ALUMINUM TYPE (A)
Incandescent with Adjustable Reflector	60w max A-19	1.5	1060A

SPARE PARTS			
LAMP 60w A-19 Incandescent	INX3526	CONVENIENCE OUTLET 15A 125v	CX3001
LAMPHOLDERS Porcelain	INX4087	SWITCH Double Pole	INX3379