



FEATURES

- ▼ Wide range of lamp options in 100w-300w incandescent and 13w, 18w, 26w and 32w compact fluorescent in both box types.
- ▼ Wall mount round or square box incandescent or compact fluorescent luminaires complete with angle dome reflector.
- ▼ Choice of corrosion resistant housings in cast marine brass or copper free aluminum.
- ▼ Supplied with a high-impact heavy cast marine brass or copper free aluminum protective guard except where polycarbonate globes are requested.
- ▼ Choice of colored glass globes available in red, green, blue and yellow as well as frosted types together with polycarbonate versions (supplied without protective guard).
- ▼ Watertight seal prevents ingress of dirt and moisture into the luminaire.
- ▼ 5 year warranty.

APPROVALS

- ▼ UL 1598A - Marine Outside Type Saltwater
- ▼ ABS
- ▼ Conforms to IP 66

APPLICATIONS

- ▼ Marine and wet environments
- ▼ Offshore oil and gas platforms
- ▼ Drill ships and exploration vessels
- ▼ Tankers and cargo ships
- ▼ Drilling rigs
- ▼ Gantry and walkway lighting
- ▼ Deck Lighting

OPTIONS

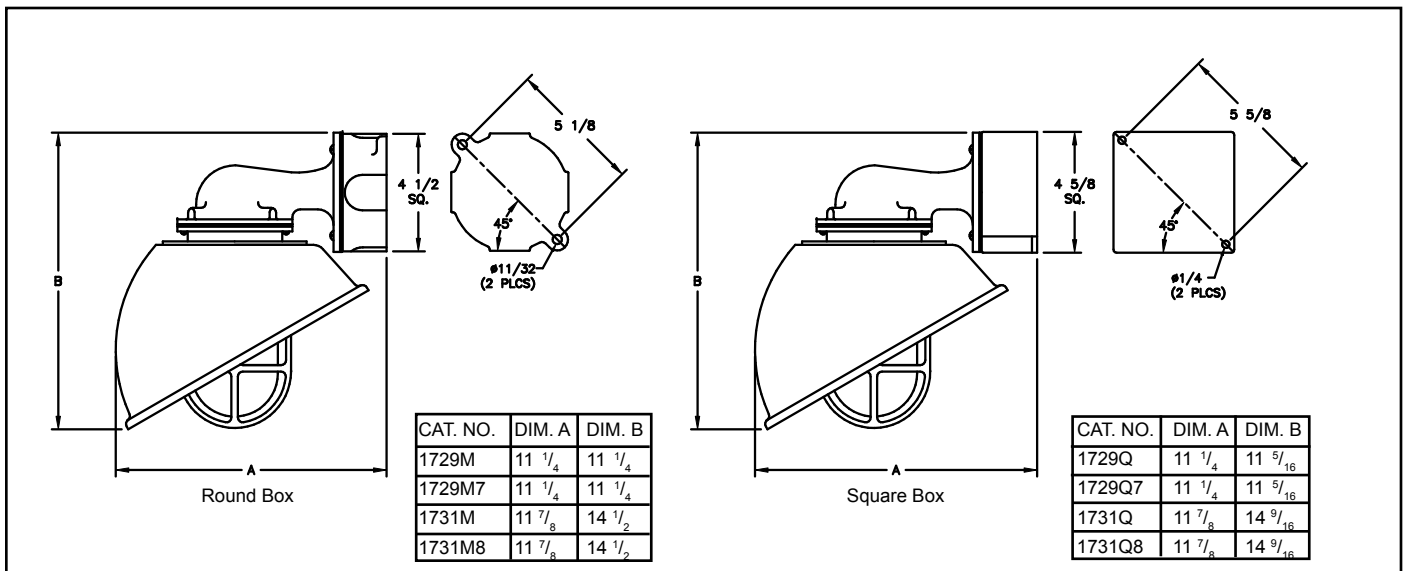
To obtain a luminaire with any of the options listed below, please add the following suffix to the part number (not all options can be combined):

- | | |
|--|------|
| ▼ Double Pole Toggle Switch | K |
| ▼ Porcelain Lampholder | P** |
| ▼ Shockproof Lampholder | SP |
| ▼ Terminal Block (4 pole) | T** |
| ▼ Terminal Block (6 pole) | T6* |
| ▼ Frosted Globe | FST |
| ▼ Heat Resistant Clear Glass Globe | HR |
| ▼ Polycarbonate Globe (guard not provided) | PG* |
| ▼ Red Globe | RED |
| ▼ Blue Globe | BLU |
| ▼ Green Globe | GRN |
| ▼ Yellow Globe | YEL |
| ▼ 277v AC 60Hz (compact fluorescent only) | -276 |

* 100w incandescent or compact fluorescent.

**Not available with compact fluorescent.

DIMENSIONS



Dimensions in inches

**MARINE, OUTSIDE AND CORROSIVE ENVIRONMENTS
VAPOR AND WATERTIGHT INCANDESCENT AND
COMPACT FLUORESCENT LUMINAIRES WITH REFLECTORS**



LUMINAIRE TECHNICAL SPECIFICATIONS

HOUSING

Available in cast marine brass or copper free aluminum.

GUARD

High impact protective guard in cast marine brass or copper free aluminum supplied with luminaire except where polycarbonate globes are requested.

OUTLETS

All units are supplied undrilled although are suitable for up to 1" NPT four way.

GASKETS

One piece silicone gasket provides a watertight seal between the lens and housing.

LAMPHOLDER

A phenolic lampholder with a nickel plated copper screw shell is supplied as standard. A porcelain or shockproof lampholder is available as an option.

GLOBE

A clear glass globe is provided as standard. Options include polycarbonate or frosted glass as well as colored in red, blue, green and yellow.

VOLTAGE OPERATION

Fluorescent luminaires are supplied to operate on 120v AC 60Hz as standard. Incandescent luminaires are rated up to 300v AC.

LAMP TYPE

Fixtures will operate 100w, 150w, 200w and 300w incandescent lamps and 13, 18, 26 and 32w compact fluorescent lamps on their 150w versions. Place the appropriate prefix "F" in front of the part number and the suffix required to denote the size. Compact fluorescent luminaires supplied with lamps; incandescent luminaires supplied without lamps.

HARDWARE

Stainless steel.

TERMINAL BLOCK

A four pole or six pole terminal block is available as an option.

REFLECTORS

Fixtures have ABS reflectors available in different sizes for 100-150w and 200-300w, supplied as standard.

ORDERING REFERENCES

INCANDESCENT LUMINAIRES						COMPACT FLUORESCENT LUMINAIRES
DESCRIPTION	LAMP SIZE	MARINE BRASS WEIGHT (lbs)	MARINE BRASS TYPE (B)	ALUMINUM TYPE (A)	BOX DEPTH	
Round Box	100w	11.0	1729BM	1729AM	2"	Compact fluorescent luminaires are available in 13, 18, 26 and 32w versions. These lamps will fit the corresponding 150w incandescent luminaires. To order your compact fluorescent luminaire choose the part number of the similar style incandescent luminaire, prefix the number with the letter "F" and select one of the following suffix that denotes your preferred lamp size. 13w - 13 • 18w - 18 • 26w - 26 • 32w - 32 Worked Example: F1729BM7-18 is a round box mounted marine brass 18w compact fluorescent with a ABS 30° angled reflector and a 2" deep junction box.
Square Box	max	12.0	1729BQ	1729AQ	2 1/4"	
Round Box	150w	11.0	1729BM7	1729AM7	2"	
Square Box	max	12.0	1729BQ7	1729AQ7	2 1/4"	
Round Box	200w	14.0	1731BM8	1731AM8	2"	
Square Box	max	15.0	1731BQ8	1731AQ8	2 1/4"	
Round Box	300w	14.0	1731BM	1731AM	2"	
Square Box	max	15.0	1731BQ	1731AQ	2 1/4"	

SPARE PARTS

LAMP HOLDERS		GUARDS (B) MARINE BRASS/(A) ALUMINUM		LAMPS		GASKETS		WATERTIGHT SWITCH BOOT		
Phenolic	INX4000	1729B/AM	INX1036B/A	100w Incandescent	INX3528	Globe 100w	GKT2002SIL	GKT8000		
Porcelain	INX4000P	1729B/AQ	INX1036B/A	150w Incandescent	INX3543	Globe 150w	GKT2002SIL			
Shockproof	INX4000SP	1729B/AM7	INX1037B/A	200w Incandescent	INX3678	200w	GKT2009SIL			
		1729B/AQ7	INX1037B/A	300w Incandescent	INX3559	300w	GKT1149SIL			
GLASS GLOBES		REFLECTORS With Rings (B) MARINE BRASS/(A) ALUMINUM		32w Compact Fluorescent		Junction Box				
100w (6")	INX2006*	100w/150w	INX4539B/A			(All luminaires)				
150w (7")	INX2007*	200w	INX4541B/A							
200w (8")	INX2008*	300w	INX4542B/A							
300w (9")	INX2009*									
* Add one of the following suffix to the above part number to obtain the globe. Clear HR- HR										
Clear - CLR	Green - GRN	Frosted - FST								
Red - RED	Yellow - YEL	Blue - BLU								
JUNCTION BOXES (B) MARINE BRASS /(A) ALUMINUM		BALLAST 120VAC 60Hz		TERMINAL BLOCKS		DOUBLE POLE SWITCH				
Round "J" Box	INX6037B/A	13-32w Compact	Fluorescent	4 pole	CX3070	INX3012				
Square "J" Box	INX6057B/A			6 pole	CX3076					