



FEATURES

- ▼ Suitable for use with lamps up to 150w A-21 maximum.
- ▼ Wall (707), Ceiling (717) and Pendant mount (727) versions available.
- ▼ Choice of corrosion resistant housing in cast marine brass or copper free aluminum.
- ▼ Supplied with a high-impact heavy cast marine brass or copper free aluminum protective guard.
- ▼ Round or square mounting boxes available on ceiling (717) or wall (707) luminaires.
- ▼ Watertight seal prevents ingress of dirt and moisture into the luminaire.
- ▼ 5 year warranty.

APPROVALS

- ▼ UL 844 - Hazardous Locations
Class I Division 2 Groups A, B, C & D
Class I Zone 2 Groups IIA, IIB, IIB + H2 and IIC
- ▼ UL 1598A - Marine Outside Type Saltwater
- ▼ Type 4X
- ▼ CSA
- ▼ ABS
- ▼ Conforms to IP 66

APPLICATIONS

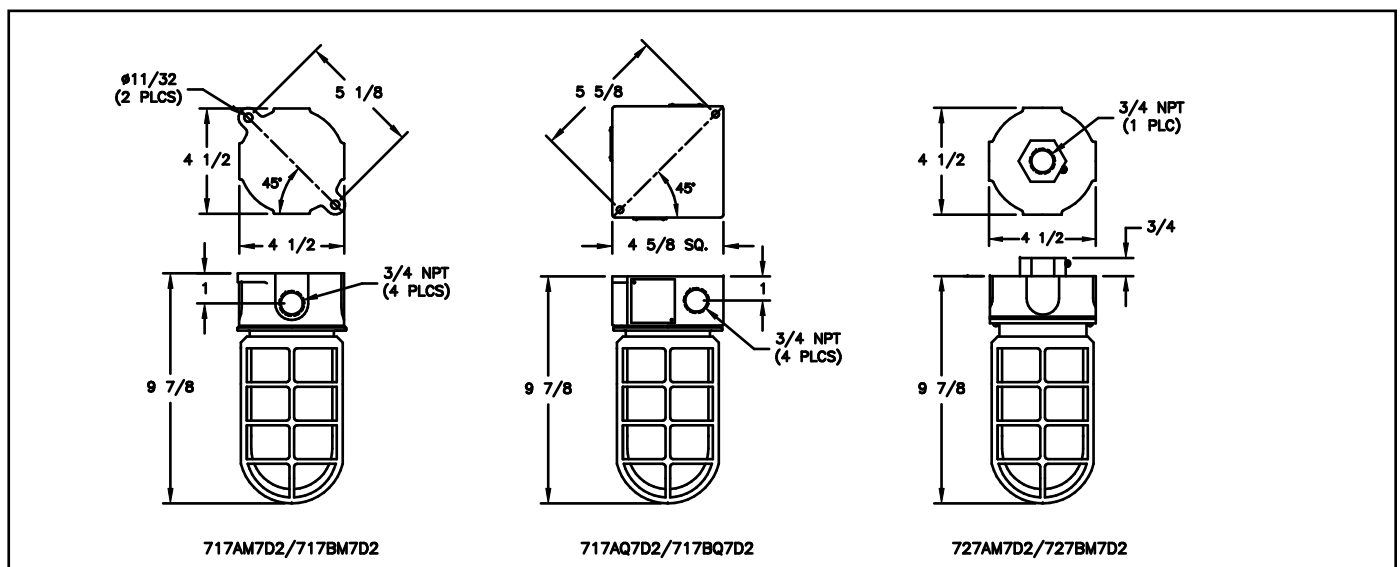
- ▼ Hazardous locations
- ▼ Offshore oil and gas exploration and production
- ▼ Refineries
- ▼ Petrochemical
- ▼ Natural gas processing
- ▼ Marine and wet environments

OPTIONS

To obtain a luminaire with any of the options listed below, please add the following suffix to the part number (not all options can be combined):

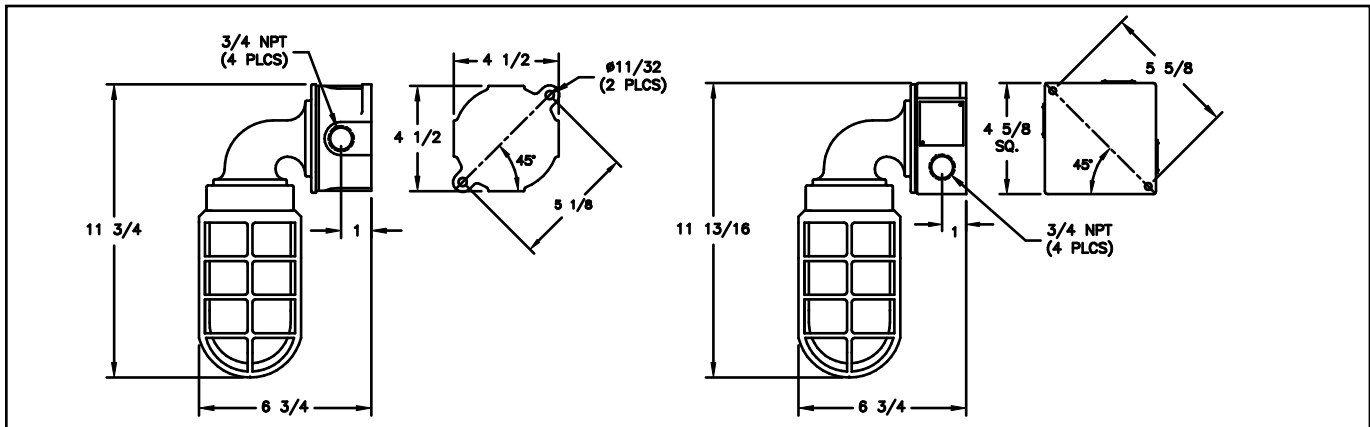
- | | |
|------------------------------------|----|
| ▼ Shockproof lampholder | SP |
| ▼ Fluted Globe | J |
| ▼ Heat Resistant Clear Glass Globe | HR |

DIMENSIONS



Dimensions in inches

DIMENSIONS



Dimensions in inches

LUMINAIRE TECHNICAL SPECIFICATIONS

HOUSING

Available in a cast marine brass or copper free aluminum.

GUARD

High impact protective guard in cast marine brass or copper free aluminum supplied with luminaire as standard.

OUTLETS

All junction box units are supplied drilled and tapped with four 3/4" NPT outlets and three plugs.

GASKETS

One piece silicone gasket provides a watertight seal between the lens and housing.

HARDWARE

Stainless steel.

LAMPHOLDER

A phenolic lampholder with a nickel plated copper screw shell is supplied as standard. A shockproof lampholder is also available on request.

LAMP TYPE

The luminaire is suitable for lamps up to 150w A-21 maximum. All luminaires are supplied without lamps.

GLOBE

A clear glass globe is provided as standard. An optional fluted globe is available on request.

TERMINAL BLOCK

A four pole terminal block is supplied as standard and housed in the junction box of each luminaire.

TEMPERATURE CODES

Temperature rating is T2D at a 40°C ambient temperature.

ORDERING REFERENCES

HAZARDOUS LOCATION INCANDESCENT LUMINAIRES				
DESCRIPTION	MAX LAMP SIZE	MARINE BRASS WEIGHT (lbs)	MARINE BRASS TYPE (B)	ALUMINUM TYPE (A)
Ceiling mount with round junction box	150w A-21	6.3	717BM7D2	717AM7D2
Ceiling mount with square junction box	150w A-21	7.5	717BQ7D2	717AQ7D2
Wall mount with round junction box	150w A-21	7.8	707BM7D2	707AM7D2
Wall mount with square junction box	150w A-21	7.8	707BQ7D2	707AQ7D2
Pendant mount	150w A-21	6.5	727BM7D2	727AM7D2

SPARE PARTS

LAMP HOLDERS	GUARD	GLOBE	LAMP	GASKETS
Standard Phenolic INX4000 Shockproof INX4000SP	Marine Brass INX1037B/SCR Aluminum INX1037A/SCR	Clear INX2007CLR Fluted INX2142CP Heat Resistant INX2007HR	150w A-21 INX3558 TERMINAL BLOCK 4 pole CX3070	Globe GKT2002SIL Junction Box GKT3000SIL