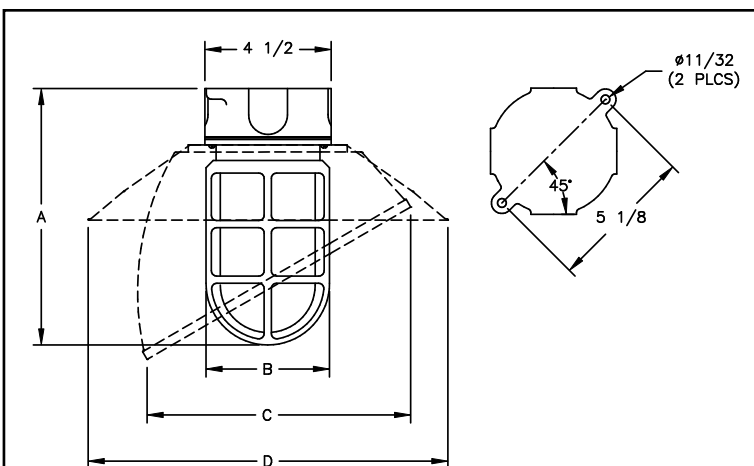




FEATURES

- ▼ Wide range of lamp options in 100w-300w incandescent or 13w, 18w, 26w and 32w compact fluorescent.
- ▼ Round box or square box incandescent or compact fluorescent luminaires.
- ▼ Choice of corrosion resistant housings in cast marine brass or copper free aluminum.
- ▼ Supplied with a high-impact heavy cast marine brass or copper free aluminum protective guard (except where polycarbonate globes are requested).
- ▼ Choice of colored glass globes available in red, green, blue and yellow as well as frosted types and polycarbonate versions.
- ▼ Watertight seal prevents ingress of dirt and moisture into the luminaire.
- ▼ Available with optional shallow dome or angle reflector.
- ▼ 5 year warranty.

DIMENSIONS



CAT. NO.	DIM. A	DIM. B	OPTION "N" DIM. C	OPTION "L" DIM D
717B	$9 \frac{1}{8}$	$4 \frac{1}{4}$	$9 \frac{1}{4}$	$12 \frac{1}{2}$
7171B7	$9 \frac{7}{8}$	$4 \frac{1}{4}$	$9 \frac{1}{4}$	$12 \frac{1}{2}$
718 B8	$11 \frac{1}{8}$	$5 \frac{3}{8}$	$10 \frac{3}{4}$	$15 \frac{3}{4}$
718B	$12 \frac{1}{2}$	6	$10 \frac{3}{4}$	$15 \frac{3}{4}$

Dimensions in inches

APPROVALS

- ▼ UL 1598A - Marine Outside Type Saltwater
- ▼ ABS
- ▼ Conforms to IP 66

APPLICATIONS

- ▼ Marine and wet environments
- ▼ Offshore oil and gas exploration and production
- ▼ Drill ships and exploration vessels
- ▼ Tankers and cargo ships
- ▼ Drilling rigs
- ▼ Gantry and walkway lighting
- ▼ Deck lighting

OPTIONS

To obtain a luminaire with any of the options listed below, please add the following suffix to the part number (not all options can be combined):

- ▼ Double Pole Toggle Switch K
- ▼ Porcelain Lampholder P*
- ▼ Shockproof Lampholder SP
- ▼ Terminal Block (4 pole) T*
- ▼ Terminal Block (6 pole) T6*
- ▼ Heat Resistant Clear Glass Globe HR
- ▼ Frosted Globe FST
- ▼ Polycarbonate Globe (guard not provided) PG**
- ▼ Red Globe RED
- ▼ Blue Globe BLU
- ▼ Green Globe GRN
- ▼ Yellow Globe YEL
- ▼ Shallow Dome Reflector L
- ▼ Angle Dome Reflector N

* Not available with compact fluorescent.

** 100w incandescent or compact fluorescent only.

COMPACT FLUORESCENT LUMINAIRES

Compact fluorescent luminaires are available in 13, 18, 26 and 32w versions. These lamps will fit the corresponding 150w incandescent luminaires. To order your compact fluorescent luminaire choose the part number of the similar style incandescent luminaire, prefix the number with the letter "F" and select one of the following suffix that denotes your preferred lamp size.

13w - 13 • 18w - 18 • 26w - 26 • 32w - 32

Worked Example: F717B7-18 is a round box mounted marine brass 18w compact fluorescent.

**MARINE, OUTSIDE AND CORROSIVE ENVIRONMENTS
VAPOR AND WATERTIGHT INCANDESCENT
AND COMPACT FLUORESCENT CEILING MOUNT LUMINAIRES**



LUMINAIRE TECHNICAL SPECIFICATIONS

HOUSING

Available in cast marine brass or copper free aluminum.

GUARD

High impact protective guard in cast marine brass or copper free aluminum supplied with luminaire except where polycarbonate globes are requested.

OUTLETS

All units are supplied undrilled although are suitable for up to 1" NPT four way.

GASKETS

One piece silicone gasket provides a watertight seal between the lens and base.

LAMPHOLDER

A phenolic lampholder with a nickel plated copper screw shell is supplied as standard. A porcelain or shockproof lampholder is also available as an option.

HARDWARE

Stainless steel.

VOLTAGE OPERATION

Fluorescent luminaires are supplied to operate on 120v AC 60Hz as standard. Incandescent luminaires are rated to 300v AC.

LAMP TYPE

Fixture will operate 100w, 150w, 200w and 300w lamps. All incandescent luminaires are supplied without lamps. Compact fluorescent versions will operate 13w, 18w, 26w and 32w compact fluorescent lamps on their 150w versions. Compact fluorescent versions are supplied with lamps. Place the appropriate prefix "F" in front of the part number and the suffix required to denote the size.

TERMINAL BLOCK

A four pole or six pole terminal block is available as an option.

GLOBE

A clear glass globe is provided as standard. Options include polycarbonate or frosted glass as well as colored in red, blue, green and yellow. See options for details.

ORDERING REFERENCES

INCANDESCENT LUMINAIRES						SPARE PARTS	
DESCRIPTION SIZE	LAMP WT (lbs)	MARINE BRASS	MARINE (B) BRASS	ALUMINUM (A)	BOX DEPTH		
Round Box Mount	100w max	8.5	717B	717A	2"	GLASS GLOBES 100w (6") INX2006* 150w (7") INX2007* 200w (8") INX2008* 300w (9") INX2009*	
Round Box Mount	150w max	8.5	717B7	717A7	2"	* Add one of the following suffix to the above part number to obtain the globe. Clear - CLR Green - GRN Frosted - FST Red - RED Yellow - YEL Blue - BLU Clear HR - HR	
Round Box Mount	200w max	10.5	718B8	718A8	2"	LAMPS 100w Incandescent INX3528 150w Incandescent INX3543 200w Incandescent INX3678 300w Incandescent INX3559 13w Compact Fluorescent FX3530 18w Compact Fluorescent FX3552 26w Compact Fluorescent FX3553 32w Compact Fluorescent FX3554	
Round Box Mount	300w max	10.5	718B	718A	2"	REFLECTORS with Ring (B)Marine Brass / (A) Aluminum Shallow Dome 100w/150w INX4544* 200w INX4545B/A 300w INX4546B/A * no ring Angle Dome 100w/150w INX4539B/A 200w INX4541B/A 300w INX4542B/A	
Square Box Mount	100w max	7.25	717BQ	717AQ	2"	GASKETS Globe 100w GKT2002SIL Globe 150w GKT2002SIL Globe 200w GKT2009SIL Globe 300w GKT1149SIL Junction Box GKT3000SIL (All luminaires)	
Square Box Mount	150w max	7.25	717BQ7	717AQ7	2"		
Square Box Mount	200w max	10.25	718BQ8	718AQ8	2"		
Square Box Mount	300w max	10.25	718BQ	718AQ	2"		

SPARE PARTS					
JUNCTION BOXES (B) MARINE BRASS/ (A) ALUMINUM		GUARDS (B) MARINE BRASS/ (A) ALUMINUM		LAMP HOLDERS	
717B/A	INX6037B/A	717B/A	INX1036B/A	Phenolic	INX4000
717B/A7	INX6037B/A	717B/A7	INX1037B/A	Porcelain	INX4000P
718B/A8	INX6037B/A	718B/A8	INX1038B/A	Shockproof	INX4000SP
718B/A	INX6037B/A	718B/A	INX1020B/A		
DOUBLE POLE TOGGLE SWITCH		TERMINAL BLOCKS		WATERTIGHT SWITCH BOOT	
INX3012		4 pole	CX3070	GKT8000	
		6 pole	CX3076		
BALLAST 120VAC 60Hz					
13-32w Compact Fluorescent		FX5206			