



FEATURES

- ▼ Wide range of lamp options in 100w-300w incandescent and 13w, 18w, 26w and 32w compact fluorescent.
- ▼ Wall and Flush mount versions available.
- ▼ Choice of corrosion resistant housings in rugged cast marine brass or copper free aluminum.
- ▼ Supplied with a high-impact heavy cast marine brass or copper free aluminum protective guard (except where polycarbonate globes are requested).
- ▼ Choice of colored glass globes available in red, green, blue and yellow as well as frosted types together with polycarbonate versions.
- ▼ Watertight seal prevents ingress of dirt and moisture into the luminaire.
- ▼ 5 year warranty.

APPROVALS

- ▼ UL 1598A - Marine Outside Type Saltwater
- ▼ ABS
- ▼ Conforms to IP 66

APPLICATIONS

- ▼ Marine and wet environments
- ▼ Offshore oil and gas platforms
- ▼ Drill ships and exploration vessels
- ▼ Tankers and cargo ships
- ▼ Drilling rigs
- ▼ Gantry and walkway lighting
- ▼ Deck lighting

OPTIONS

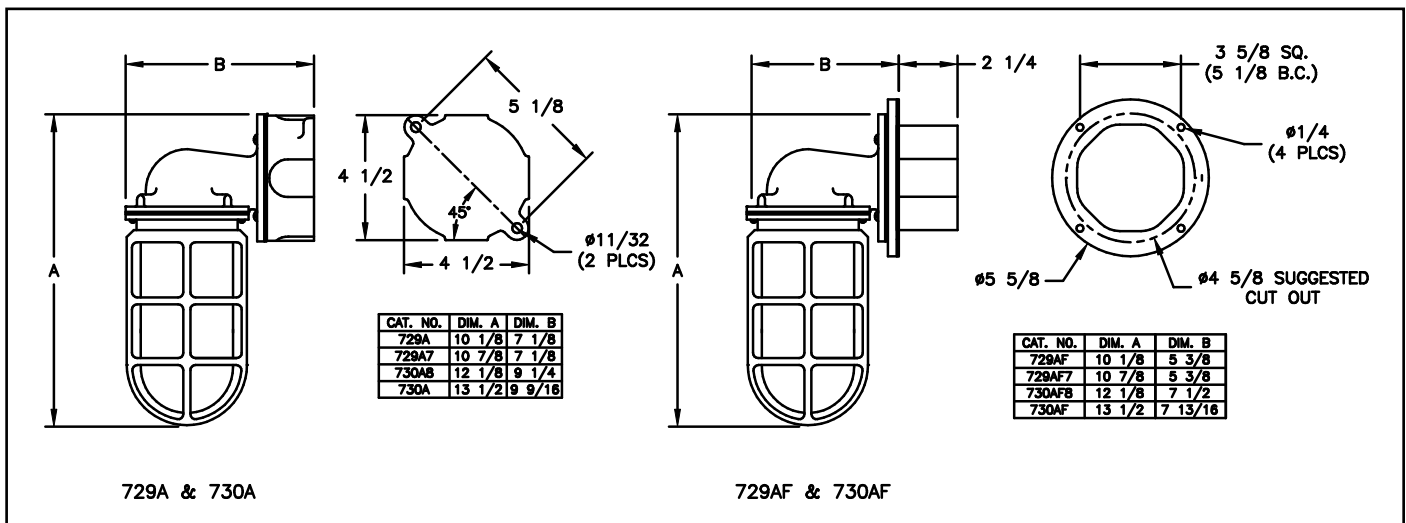
To obtain a luminaire with any of the options listed below, please add the following suffix to the part number (not all options can be combined):

- ▼ Double Pole Toggle Switch (Not for Flush Box) K
- ▼ Porcelain Lampholder P*
- ▼ Shockproof Lampholder SP
- ▼ Terminal Block (4 pole) T*
- ▼ Terminal Block (6 pole) T6*
- ▼ Frosted Globe FST
- ▼ Heat Resistant Clear Glass Globe HR
- ▼ Polycarbonate Globe (guard not provided) PG**
- ▼ Red Globe RED
- ▼ Blue Globe BLU
- ▼ Green Globe GRN
- ▼ Yellow Globe YEL
- ▼ 277v 60Hz (compact fluorescent only) -276

* Not available with compact fluorescent.

** 100w incandescent or compact fluorescent.

DIMENSIONS



**MARINE, OUTSIDE AND CORROSIVE ENVIRONMENTS
VAPOR AND WATERTIGHT INCANDESCENT
AND COMPACT FLUORESCENT WALL MOUNT LUMINAIRES**



LUMINAIRE TECHNICAL SPECIFICATIONS

HOUSING

Available in cast marine brass or copper free aluminum.

GUARD

High impact protective guard in cast marine brass or copper free aluminum supplied with luminaire except where polycarbonate globes are requested.

OUTLETS

All units are supplied undrilled although are suitable for up to 1" NPT four way.

GASKETS

One piece silicone gasket provides a watertight seal between the lens and housing.

LAMPHOLDER

A phenolic lampholder with a nickel plated copper screw shell is supplied as standard. A porcelain or shockproof lampholder is also available as an option.

HARDWARE

Stainless steel.

GLOBE

A clear glass globe is provided as standard. Options include polycarbonate or frosted glass as well as colored in red, blue, green and yellow. See options for details.

BALLAST

All fluorescent luminaires are supplied complete with ballasts rated to operate on 120v AC 60Hz as standard. Other options include 277v 60Hz. Incandescent luminaires are rated to 300v AC.

LAMP TYPE

Fixtures will operate 100w, 150w, 200w and 300w incandescent lamps. Fluorescent luminaires will operate 13w, 18w, 26w and 32w compact fluorescent lamps on their 150w versions. Place the prefix "F" in front of the part number and the suffix required to denote the size. Compact fluorescent luminaires are supplied with lamps; incandescent luminaires are supplied without lamps.

TERMINAL BLOCK

A four pole or six pole terminal block is available as an option.

ORDERING REFERENCES

INCANDESCENT LUMINAIRES						COMPACT FLUORESCENT LUMINAIRES	
DESCRIPTION	LAMP SIZE	MARINE BRASS WEIGHT (lbs)	MARINE BRASS TYPE (B)	ALUMINUM TYPE (A)	BOX DEPTH		
Wall Mount	100w max	8.0	729B	729A	2"	Compact fluorescent luminaires are available in 13, 18, 26 and 32w versions. These lamps will fit the corresponding 150w incandescent luminaires. To order your compact fluorescent luminaire choose the part number of the similar style incandescent luminaire, prefix the number with the letter "F" and select one of the following suffix that denotes your preferred lamp size. 13w - 13 • 18w - 18 • 26w - 26 • 32w - 32 Worked Example: F729B7-18 is a bracket mounted marine brass 18w compact fluorescent with a 2" deep junction box.	
Wall Mount	150w max	8.5	729B7	729A7	2"		
Wall Mount	200w max	10.5	730B8	730A8	2"		
Wall Mount	300w max	10.5	730B	730A	2"		
Flush Mount	100w max	9.3	729BF	729AF	2 3/8"		
Flush Mount	150w max	9.3	729BF7	729AF7	2 3/8"		
Flush Mount	200w max	11.8	730BF8	730AF8	2 3/8"		
Flush Mount	300w max	11.8	730BF	730AF	2 3/8"		
SPARE PARTS						SPARE PARTS	
JUNCTION BOXES (B) MARINE BRASS (A) ALUMINUM		LAMPHOLDERS		GUARDS (B) MARINE BRASS (A) ALUMINUM		GLASS GLOBES	
Wall Mount Type	INX6037B/A	Phenolic	INX4000	100w	INX1036B/A	100w (6")	INX2006*
Flush Mount Type	INX6055B/A	Porcelain	INX4000P	150w	INX1037B/A	150w (7")	INX2007*
(One type fits all units)		Shockproof	INX4000SP	200w	INX1038B/A	200w (8")	INX2008*
				300w	INX1020B/A	300w (9")	INX2009*
						* Add one of the following suffix to the above part number to obtain the globe. Clear HR - HR Clear - CLR Green - GRN Frosted - FST Red - RED Yellow - YEL Blue - BLU	
BALLAST 120VAC 60Hz	13-32w Compact Fluorescent	FX5206	TERMINAL BLOCKS	4 pole	CX3070	LAMPS	
			6 pole	CX3076		100w Incandescent	INX3528
						150w Incandescent	INX3543
						200w Incandescent	INX3678
						300w Incandescent	INX3559
						13w Compact Fluorescent	FX3530
						18w Compact Fluorescent	FX3530
						26w Compact Fluorescent	FX3552
						32w Compact Fluorescent	FX3554
						GLOBE GASKETS	
						Globe 100w	GKT2002SIL
						Globe 150w	GKT2002SIL
						Globe 200w	GKT2009SIL
						Globe 300w	GKT1149SIL
						Junction Box	GKT3000SIL (All luminaires)