



FEATURES

- ▼ Lamp options in 100w or 150w incandescent.
- ▼ Wall mount luminaire.
- ▼ Choice of corrosion resistant housings in cast marine brass or copper free aluminum.
- ▼ Supplied with a cast marine brass or copper free aluminum protective guard (except where polycarbonate globes are requested).
- ▼ Supplied with clear high impact lens as standard with a choice of colored lens in yellow, green, red, blue or frosted.
- ▼ 5 year warranty.

APPROVALS

- ▼ UL 1598A - Marine Outside Type Saltwater
- ▼ ABS
- ▼ Conforms to IP 66

APPLICATIONS

- ▼ Marine and wet environments
- ▼ Offshore oil and gas platforms
- ▼ Drill ships and exploration vessels
- ▼ Tankers
- ▼ Deck Lighting
- ▼ Gantry and walkway lighting

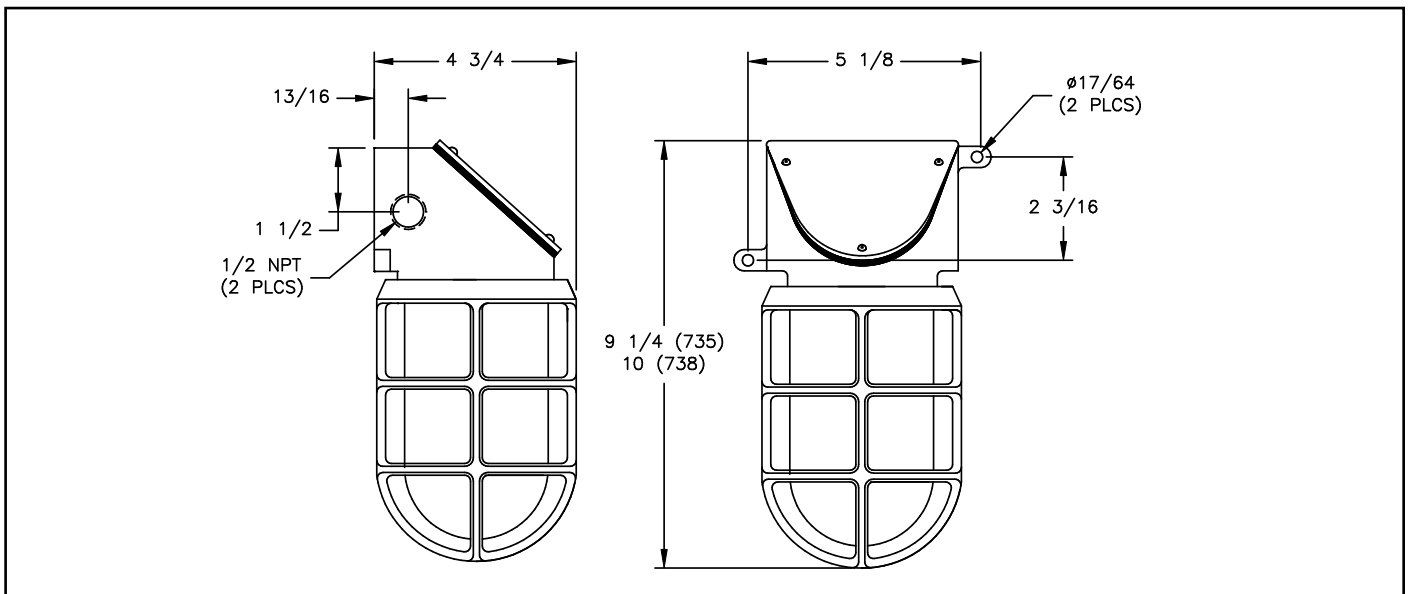
OPTIONS

To obtain a luminaire with any of the options listed below, please add the following suffix to the part number (not all options can be combined):

- | | |
|--|-----|
| ▼ Porcelain Lampholder | P |
| ▼ Shockproof Lampholder | SP |
| ▼ Double Pole Toggle Switch | K |
| ▼ Red Globe | RED |
| ▼ Blue Globe | BLU |
| ▼ Green Globe | GRN |
| ▼ Yellow Globe | YEL |
| ▼ Frosted Globe | FST |
| ▼ Polycarbonate Globe (guard not provided) | PG* |
| ▼ Heat Resistant Clear Glass Globe | HR |
| ▼ Terminal Block 4 Pole | T |

* 100w incandescent only.

DIMENSIONS





LUMINAIRE TECHNICAL SPECIFICATIONS

HOUSING

Available in cast marine brass or copper free aluminum.

GUARD

High impact protective guard in cast marine brass or copper free aluminum supplied with luminaire except where polycarbonate globes are requested.

OUTLETS

All units are supplied drilled and tapped with two 1/2" NPT outlet as standard with one plugged.

GASKETS

One piece silicone gasket provides a watertight seal between the lens and housing.

LAMPHOLDER

A phenolic lampholder with a nickel plated copper screw shell is supplied. A porcelain or shockproof lampholder is available as an option.

HARDWARE

Stainless steel.

VOLTAGE OPERATION

All luminaires are rated up to 300v AC.

LAMP TYPE

The luminaires operate either a 100w or 150w incandescent lamp available separately. Fixtures are supplied without lamps.

GLOBE

A clear glass globe is provided. Colored globes are available in red, blue, green, yellow, frosted glass and polycarbonate.

SWITCH

A double toggle switch and a watertight boot is available as an option.

ORDERING REFERENCES

INCANDESCENT LUMINAIRES				
DESCRIPTION	LAMP SIZE	MARINE BRASS WEIGHT (lbs)	MARINE BRASS TYPE (B)	ALUMINUM TYPE (A)
Wall Bracket Mount	100w max A-19	6.25	735B	735A
Wall Bracket Mount	150w max A-21	6.25	738B	738A

SPARE PARTS				
LAMPHOLDERS			LAMP	100w A-19 150w A-21
Phenolic		INX4000		INX3528
Porcelain		INX4000P		INX3543
Shockproof		INX4000SP		
GASKETS			Globe Cover	GKT2002SIL GKT6019
GUARDS			DOUBLE POLE TOGGLE SWITCH	INX3012
6" 100w Fixtures	Marine Brass	INX1036B		
	Aluminum	INX1036A		
7" 150w Fixtures	Marine Brass	INX1037B		
	Aluminum	INX1037A		
GLASS GLOBES			WATERTIGHT SWITCH BOOT	GKT8000
6" 100w LUMINAIRES			TERMINAL BLOCK	4 Pole CX3070
	Clear	INX2006CLR		
	Green	INX2006GRN		
	Blue	INX2006BLU		
	Red	INX2006RED		
	Yellow	INX2006YEL		
	Frosted	INX2006FST		
	Clear HR	INX2006HR		
7" 150w Fixtures				
	Clear	INX2007CLR		
	Green	INX2007GRN		
	Blue	INX2007BLU		
	Red	INX2007RED		
	Yellow	INX2007YEL		
	Frosted	INX2007FST		
	Clear HR	INX2007HR		