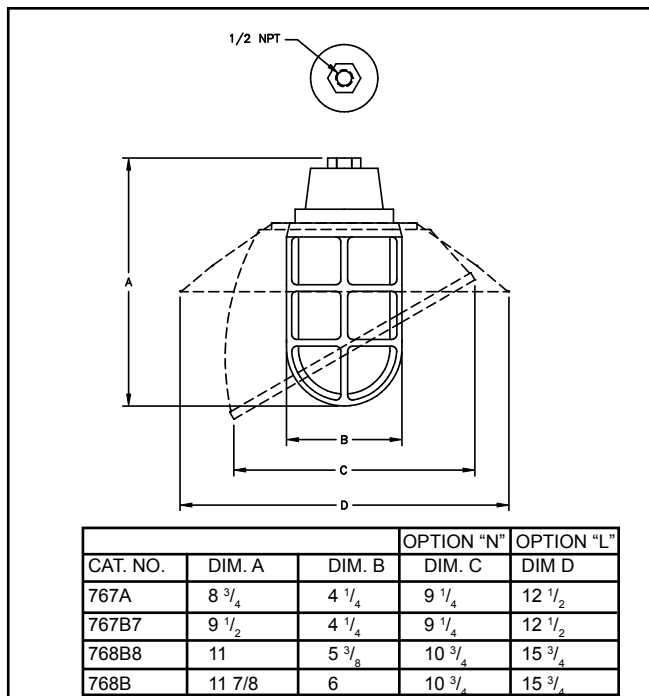




FEATURES

- ▼ Wide range of lamp options in 100w max, 150w max, 200w max and 300w max incandescent.
- ▼ Pendant mount incandescent luminaires.
- ▼ Choice of corrosion resistant housings cast marine brass or copper free aluminum.
- ▼ Supplied with a high-impact heavy cast marine brass or copper free aluminum protective guard (except where polycarbonate globes are requested).
- ▼ Choice of colored glass globes available in red, green, blue and yellow as well as frosted types together with polycarbonate versions (supplied without protective guard).
- ▼ Watertight seal prevents ingress of dirt and moisture into the luminaire.
- ▼ 5 year warranty.

DIMENSIONS



Dimensions in inches

APPROVALS

- ▼ UL 1598A - Marine Outside Type Saltwater
- ▼ ABS
- ▼ Conforms to IP 66

APPLICATIONS

- ▼ Marine and wet environments
- ▼ Offshore oil and gas platforms
- ▼ Drill ships and exploration vessels
- ▼ Tankers and cargo ships
- ▼ Drilling rigs
- ▼ Gantry and walkway lighting
- ▼ Deck Lighting

OPTIONS

To obtain a luminaire with any of the options listed below, please add the following suffix to the part number (not all options can be combined):

- ▼ Porcelain Lampholder P
- ▼ Shockproof Lampholder SP
- ▼ Polycarbonate Globe (guard not provided) PG*
- ▼ Heat Resistant Clear Glass Globe HR
- ▼ Frosted Globe FST
- ▼ Red Globe RED
- ▼ Blue Globe BLU
- ▼ Green Globe GRN
- ▼ Yellow Globe YEL
- ▼ ³/₄" NPT mounting CY4
- ▼ Shallow Dome Reflector L
- ▼ Angle Dome Reflector N

* 100w incandescent only.



LUMINAIRE TECHNICAL SPECIFICATIONS

HOUSING

Available in cast marine brass or copper free aluminum.

GUARD

High impact protective guard in cast marine brass or copper free aluminum supplied with luminaire except where polycarbonate globes are requested.

OUTLETS

All units are supplied drilled with a 1/2" NPT outlet. A 3/4" NPT drilled outlet is available as an option.

GASKETS

One piece silicone gasket provides a watertight seal between the lens and housing.

LAMPHOLDER

A phenolic lampholder with a nickel plated copper screw shell is supplied as standard. A porcelain or shockproof lampholder is available as an option.

VOLTAGE OPERATION

Fixtures are rated up to 300v AC.

LAMP TYPE

100w, 150w, 200w and 300w incandescent. Luminaires are supplied without lamps.

REFLECTORS

The 100w and 150w shallow dome reflectors are fiberglass reinforced polyester, while all others are made from ABS.

GLOBE

A clear glass globe is provided. Options include polycarbonate or frosted glass as well as colored in red, blue, green and yellow. See options for details of codes.

ORDERING REFERENCES

INCANDESCENT LUMINAIRES				
DESCRIPTION	LAMP SIZE	MARINE BRASS WEIGHT (lbs)	MARINE BRASS TYPE (B)	ALUMINUM TYPE (A)
Pendant Mount	100w max	4.0	767B	767A
Pendant Mount	150w max	4.0	767B7	767A7
Pendant Mount	200w max	7.3	768B8	768A8
Pendant Mount	300w max	7.3	768B	768A

SPARE PARTS			
LAMP HOLDERS		LAMPS	
Phenolic	INX4000	100w Incandescent	INX3528
Porcelain	INX4000P	150w Incandescent	INX3543
Shockproof	INX4000SP	200w Incandescent	INX3678
		300w Incandescent	INX3559
GLASS GLOBES		GASKETS	
100w (6")	INX2006*	100w	GKT2002SIL
150w (7")	INX2007*	150w	GKT2002SIL
200w (8")	INX2008*	200w	GKT2009SIL
300w (9")	INX2009*	300w	GKT1149SIL
* Add one of the following suffix to the above part number to obtain the globe. Clear - CLR Green - GRN Frosted - FST Red - RED Yellow - YEL Blue - BLU Clear HR - HR		REFLECTORS (B) Marine Brass / (A) ALUMINUM	
GUARDS (B) MARINE BRASS / (A) ALUMINUM		Shallow Dome	
100w	INX1037B/A	100w/150w	INX4544
150w	INX1037B/A	200w	INX4545B/A
200w	INX1038B/A	300w	INX4546B/A
300w	INX1020B/A	Angle Dome	
		100w/150w	INX4539B/A
		200w	INX4541B/A
		300w	INX4542B/A