



FEATURES

- ▼ Available in 60-100w or 100-200w incandescent or 18w, 26w, or 32w compact fluorescent.
- ▼ Wall (EPB), Ceiling (EPC), and Pendant (EPP) mount versions available.
- ▼ Choice of corrosion resistant housings in cast marine brass or copper free aluminum.
- ▼ Supplied with a high-impact heavy cast marine brass or copper free aluminum protective guard.
- ▼ Factory sealed enclosure designed for use in locations where flammable gases or corrosive environments are present.
- ▼ Heat and impact resistant clear explosion proof glass globe.
- ▼ Fixtures available without reflector, with shallow dome reflector or 30° angled reflector.
- ▼ 5 year warranty.

APPROVALS

- ▼ UL 844 - Hazardous Locations
Class I Divisions 1 & 2 Groups C & D
- ▼ UL 1598A - Marine Outside Type Saltwater
- ▼ NEMA 4X
- ▼ ABS
- ▼ Conforms to IP 66

APPLICATIONS

- ▼ Hazardous locations
- ▼ Offshore oil and gas exploration and production
- ▼ Refineries
- ▼ Natural Gas Processing
- ▼ Distilleries
- ▼ Fuel dispensing facilities
- ▼ Marine and wet environments

OPTIONS

To obtain a luminaire with any of the options listed below, please add the following suffix to the part number (not all options can be combined):

- | | |
|--------------------------------|---------|
| ▼ Shockproof lampholder | SP |
| ▼ 4 Pole Terminal Block | T* |
| ▼ Blue Globe (for 200w only) | B** |
| ▼ Green Globe (for 200w only) | G** |
| ▼ Red Globe (for 200w only) | R** |
| ▼ Yellow Globe (for 200w only) | Y** |
| ▼ 277V AC 60Hz** | -276*** |

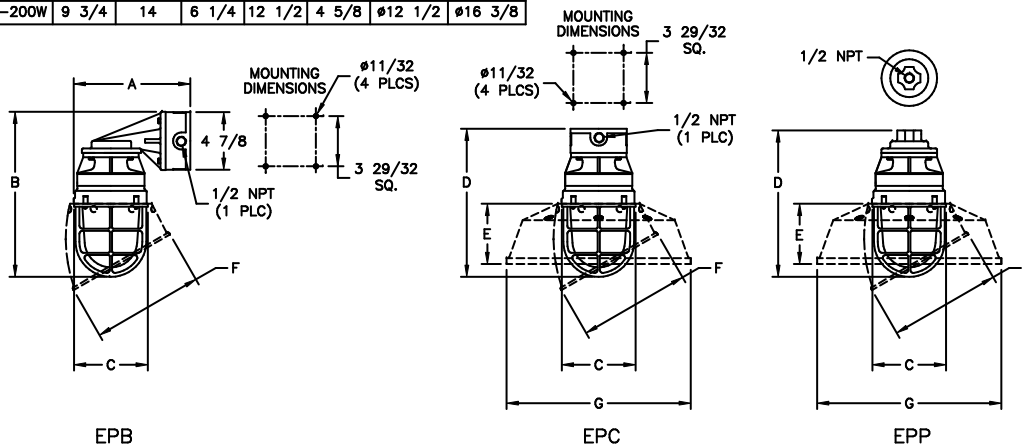
*Only available on incandescent wall & ceiling models.

** Temperature Rating with Colored Globe is T2D.

*** Available on compact fluorescent models only.

DIMENSIONS

	DIMENSIONS						
	A	B	C	D	E	F	G
60-100W	9 3/8	12 1/4	5 3/4	11 1/4	2 3/4	Ø10 5/8	Ø12 1/2
100-200W	9 3/4	14	6 1/4	12 1/2	4 5/8	Ø12 1/2	Ø16 3/8



EXPLOSION PROOF CLASS I DIVISION 1 INCANDESCENT AND COMPACT FLUORESCENT CEILING, PENDANT OR WALL MOUNT LUMINAIRES



LUMINAIRE TECHNICAL SPECIFICATIONS

HOUSING

Available in cast marine brass or copper free aluminum.

GUARD

Protective cast web marine brass or copper free aluminum supplied with each luminaire.

OUTLETS

Supplied with one 1/2" NPT outlet as standard. Fixtures can be supplied with up to four 3/4" NPT outlets except for pendant models which can only be supplied with up to one 3/4" NPT outlet.

GASKETS

One piece neoprene gasket provides a watertight seal between the globe assembly and housing.

TERMINAL BLOCK

A four pole terminal block is also available as an option on ceiling and bulkhead models. Not for use with compact fluorescent models.

MOUNTING

Intended for lamp base-up mounting.

LAMPHOLDER

A medium based lampholder with a nickel plated copper screw shell is supplied as standard. A shockproof lampholder is also available as an option.

VOLTAGE OPERATION

All incandescent luminaires are rated to operate up to 250v AC. Compact fluorescent models are rated up to 120V 60Hz or optional 277V 60 Hz.

LAMP TYPE

The luminaire is suitable for lamps up to 100w A-19 maximum for 60-100w incandescent and 200w A-21 for 100-200w incandescent. Compact fluorescent luminaires are supplied with lamps, incandescent luminaires are supplied without lamps.

GLOBE

A clear glass globe is provided as standard. See options for available colors

REFLECTORS

Available without reflector, with shallow dome or 30° angled reflector.

TEMPERATURE CODES

A 100 watt maximum clear globe incandescent is T4. A 200 watt maximum clear globe incandescent is T3B and colored globe incandescent is T2D. A compact fluorescent clear globe is T6 and a compact fluorescent colored globe is T2D. All are at 40°C ambient temperature.

ORDERING REFERENCES

INCANDESCENT LUMINAIRES				
DESCRIPTION	LAMP SIZE	MARINE BRASS WT (lbs)	MARINE BRASS(B)	ALUMINUM(A)
Wall Mount without Reflector	60-100w A-19	27.3	EPB46B	EPB46A
	100-200w A-21	29.0	EPB47B	EPB47A
Wall Mount with 30° Angled Reflector	60-100w A-19	30.0	EPB48B	EPB48A
	100-200w A-21	31.8	EPB49B	EPB49A
Ceiling Mount without reflector	60-100w A-19	20.0	EPC30B	EPC30A
	100-200w A-21	22.0	EPC31B	EPC31A
Ceiling Mount with Shallow Dome Reflector	60-100w A-19	21.5	EPC34B	EPC34A
	100-200w A-21	25.0	EPC35B	EPC35A
Ceiling Mount with 30° Angled Reflector	60-100w A-19	23.0	EPC36B	EPC36A
	100-200w A-21	25.0	EPC37B	EPC37A
Pendant Mount without Reflector	60-100w A-19	18.3	EPP38B	EPP38A
	100-200w A-21	20.0	EPP39B	EPP39A
Pendant Mount with Shallow Dome Reflector	60-100w A-19	19.5	EPP42B	EPP42A
	100-200w A-21	23.0	EPP43B	EPP43A
Pendant Mount with 30° Angled Reflector	60-100w A-19	21.0	EPP44B	EPP44A
	100-200w A-21	23.0	EPP45B	EPP45A

COMPACT FLUORESCENT LUMINAIRES
Compact fluorescent luminaires are available in 13, 18, 26 and 32w versions. To order your compact fluorescent luminaire choose the part number of the similar style incandescent luminaire, prefix the number with the letter "F" and select one of the following suffix that denotes your preferred lamp size. 18w - 18 • 26w - 26
Worked Example: FEPC37B-26 is a 26w junction box type compact fluorescent luminaire in marine brass with a 30° angled reflector. Available only in the 100-200w Wall or Ceiling type luminaires.

SPARE PARTS		
LAMPS	GLOBE ASSEMBLY	
Incandescent	60-100w Marine Brass	INX9005B
60w INX3526	60-100w Aluminum	INX9005A
100w INX3528	100-200w Marine Brass	INX9012B
150w INX3558	100-200w Aluminum	INX9012A
200w INX3557	For colored globe add suffix to end of Globe Assembly part number.	
Compact Fluorescent	Blank - Clear	B - Blue Globe
18w FX3552	G - Green Globe	R - Red Globe
26w FX3553	Y - Yellow Globe	
32w FX3554		
GUARDS	REFLECTORS	
60-100w Marine Brass	INX1004B	60-100w Shallow
60-100w Aluminum	INX1004A	INX4543
100-200w Marine Brass	INX1005B	60-100w Angled
100-200w Aluminum	INX1005A	INX4538
		100-200w Shallow
		INX4556
		100-200w Angled
		INX4540
LAMPHOLDER	BALLAST	
Incandescent	INX4000	N/A
Compact Fluorescent 18w	FX4030	FX5206
26w	FX4034	FX5026
32w	FX4034	FX5026

© Copyright 2006. Not to be reproduced without express permission of Pauluhn Electric Manufacturing, LLP.

INCANDESCENT & COMPACT FLUORESCENT