



FEATURES

- ▼ Corrosion resistant copper free aluminum housing with a white oven-cured polyester powder coat high gloss protective finish and white polycarbonate end caps.
- ▼ Slim low profile luminaire.
- ▼ One lamp 8w T5 luminaire.
- ▼ 120v 60Hz voltage operation as standard. Optional 220v AC 60Hz available.
- ▼ Adjustable shade for light control.
- ▼ 5 year warranty.

APPROVALS

- ▼ UL 1598A - Marine Inside Type
- ▼ ABS
- ▼ Conforms to IP 40

APPLICATIONS

- ▼ Marine inside environments
- ▼ Accommodation modules / cabin sections
- ▼ Drill ships and exploration vessels
- ▼ Ferries
- ▼ Oil and gas platforms
- ▼ Tankers
- ▼ Passenger ships

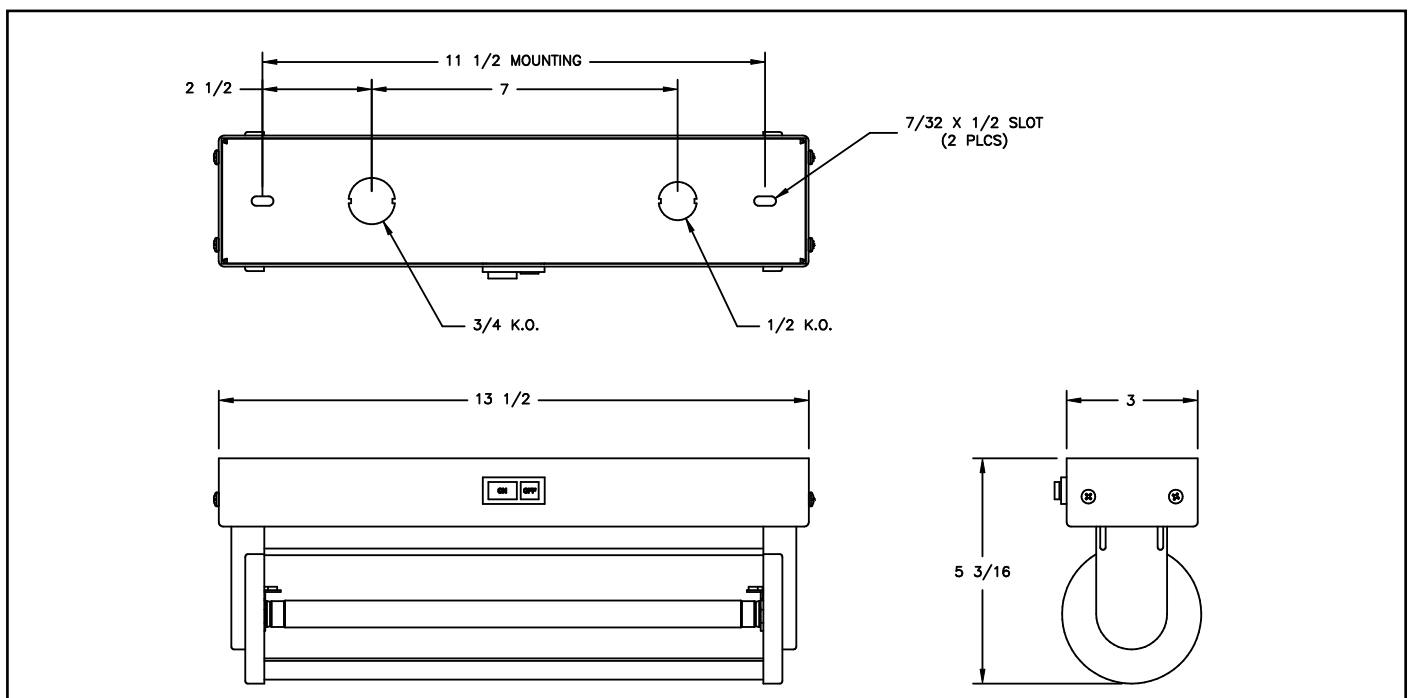
OPTIONS

To obtain a luminaire with any of the options listed below, please add the following suffix to the part number (not all options can be combined):

- ▼ Convenience Outlet CO
- ▼ 220v 60Hz -226*

* Not available with CO option.

DIMENSIONS



LUMINAIRE TECHNICAL SPECIFICATIONS

HOUSING

Corrosion resistant copper free aluminum with a white oven-cured polyester powder coat protective finish. An adjustable shade is provided.

OUTLETS

All units are supplied complete with one 1/2" and one 3/4" NPT knockout.

LAMPHOLDER

Standard fluorescent lampholders are supplied with each luminaire.

CONVENIENCE OUTLET

A 125V 3 wire - 2 pole "U" ground outlet is provided as an option. NEMA 5-15R configuration.

HARDWARE

Stainless steel.

VOLTAGE OPERATION

Rated for operation on 120v AC 60Hz as standard. Optional 220V 60Hz unit is also available.

LAMP TYPE

Suitable for use with one 8w T5 fluorescent lamp supplied with each luminaire.

SWITCH

A push type momentary contact switch is provided as standard.

ORDERING REFERENCES

INSIDE TYPE FLUORESCENT BERTH LUMINAIRES			
DESCRIPTION	LAMP SIZE	WEIGHT (lbs)	ALUMINUM TYPE
Berth and Mirror	1 x 8w	3.0	F1062

SPARE PARTS	
BALLAST	FX5012
LAMP 8w T5 Fluorescent	FX3509
LAMPHOLDER	FX4029
PUSH TYPE SWITCH	FX3029