



## FEATURES

- ▼ Corrosion resistant housing in marine brass or copper free aluminum with an oven-cured polyester powder coat protective finish.
- ▼ Slim low profile luminaire.
- ▼ Two lamp 13w, 18w or 26w compact fluorescent.
- ▼ No tools required for maintenance.
- ▼ Tough injection molded clear prismatic polycarbonate lens.
- ▼ 5 year warranty.

## APPROVALS

- ▼ UL 1598A - Marine Inside Drip Proof Type
- ▼ ABS
- ▼ Conforms to IP 52

## APPLICATIONS

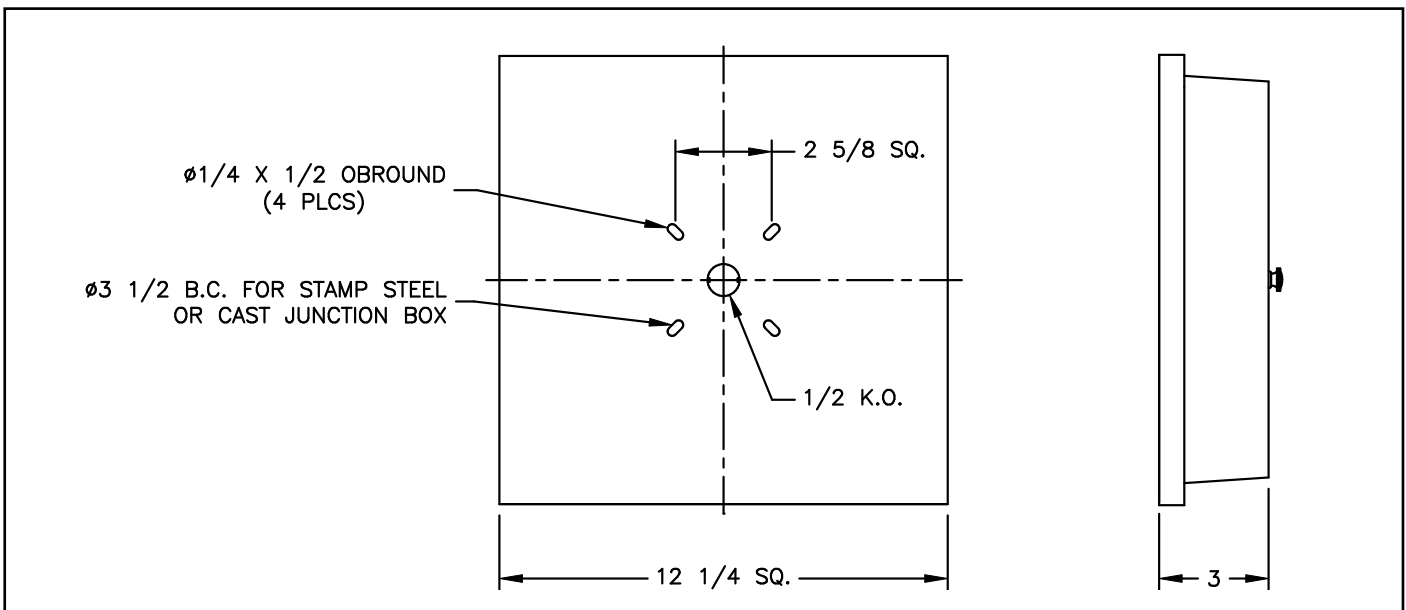
- ▼ Marine inside environments
- ▼ Accommodation modules / cabin sections
- ▼ Drill ships and exploration vessels
- ▼ Hallways, corridors and facility / amenity lighting
- ▼ Oil and gas platforms
- ▼ Tankers

## OPTIONS

To obtain a luminaire with any of the options listed below, please add the following suffix to the part number:

- ▼ 220v 60Hz -226
- ▼ 277v 60Hz -276

## DIMENSIONS



Dimensions in inches

**LUMINAIRE TECHNICAL SPECIFICATIONS**

**HOUSING**

Corrosion resistant marine brass or copper free aluminum with an oven-cured polyester powder coat protective finish.

**OUTLETS**

All units are supplied complete with one 3/4" NPT knockout.

**GASKETS**

One piece neoprene gasket.

**HARDWARE**

Stainless steel.

**MOUNTING**

Fits a 4 inch stamp steel or cast junction box.

**VOLTAGE OPERATION**

Rated for operation on 120v AC 60Hz as standard.

**LAMP TYPE**

Two 13w, 18w or 26w compact fluorescent PL lamps. All luminaires are supplied with lamps.

**LENS**

A clear prismatic injection molded polycarbonate lens is provided.

**LAMPHOLDER**

Standard compact fluorescent lampholders are supplied with each luminaire.

**BALLAST**

High Power Factor (HPF) electronic ballast.

**ORDERING REFERENCES**

INSIDE TYPE COMPACT FLUORESCENT CEILING LUMINAIRES					
DESCRIPTION	LAMP TYPE	LAMP SIZE	ALUMINUM WEIGHT (lbs)	MARINE BRASS TYPE	ALUMINUM TYPE
Inside Drip Proof Luminaire	2PIN GX23	2 x 13w	6.0	F1143B-13	F1143A-13
Inside Drip Proof Luminaire	2PING24D	2 x 18w	6.0	F1143B-18	F1143A-18
Inside Drip Proof Luminaire	2PING24D	2 x 26w	6.0	F1143B-26	F1143A-26

SPARE PARTS	
<b>LENSES</b>	
Polycarbonate	INX2182-1
<b>LAMPHOLDER</b>	
13w Compact Fluorescent	FX4035
18w Compact Fluorescent	FX4033
26w Compact Fluorescent	FX4052
<b>BALLASTS</b>	
13w Compact Fluorescent	FX5087 (2 Required)
18w Compact Fluorescent	FX5193
26w Compact Fluorescent	FX5171
<b>LAMPS</b>	
13w Compact Fluorescent	FX3522
18w Compact Fluorescent	FX3525
26w Compact Fluorescent	FX3538