



FEATURES

- ▼ Corrosion resistant copper free aluminum housing with an oven-cured polyester powder coat protective finish.
- ▼ Slim low profile recessible luminaire.
- ▼ Available in one lamp or two lamp 8w versions.
- ▼ 120v 60Hz voltage operation as standard.
- ▼ Optional double pole toggle switch.
- ▼ Crushed grain lens for increased light distribution.
- ▼ 5 year warranty.

APPROVALS

- ▼ UL 1598A - Marine Inside Type
- ▼ ABS
- ▼ Conforms to IP 40

APPLICATIONS

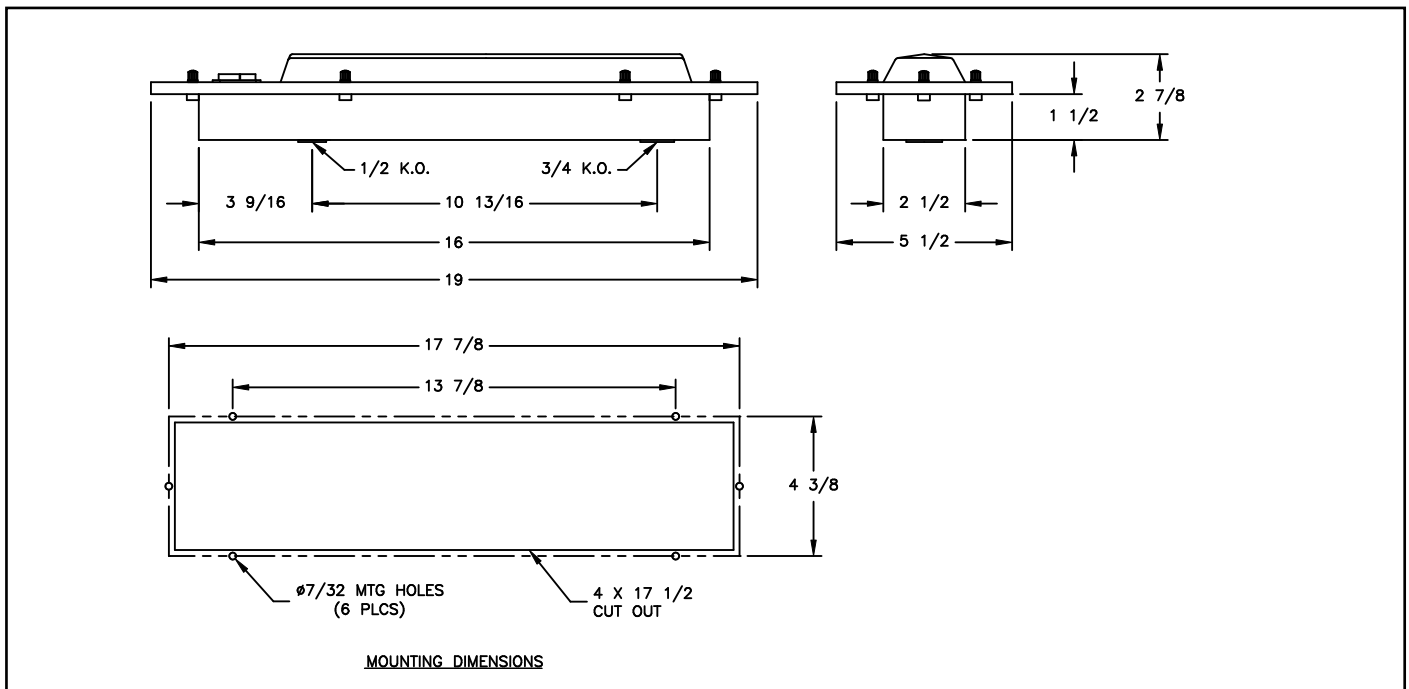
- ▼ Marine inside environments
- ▼ Accommodation modules/cabin sections
- ▼ Drill ships and exploration vessels
- ▼ Ferries
- ▼ Oil and gas platforms
- ▼ Tankers
- ▼ Passenger ships

OPTIONS

To obtain a luminaire with any of the options listed below, please add the following suffix to the part number (not all options can be combined):

- | | |
|------------------------------|-----|
| ▼ Without Convenience Outlet | LCO |
| ▼ Double Pole Toggle Switch | DS |
| ▼ Adjustable Shade | ADJ |

DIMENSIONS





**MARINE INSIDE TYPE
FLUORESCENT RECESSED BERTH/MIRROR LUMINAIRES**

LUMINAIRE TECHNICAL SPECIFICATIONS

LENS FRAME

Corrosion resistant copper free aluminum housing with an oven-cured polyester powder coat protective finish.

REFLECTOR

Aluminum with a white high gloss polyester powder coat finish.

OUTLETS

All units are supplied with one 1/2" and one 3/4" NPT knockout.

LAMPHOLDER

Standard fluorescent lampholders are supplied with each luminaire.

SWITCH

A push type momentary contact switch is provided. A double pole toggle switch is available as an option.

SHADE

An optional light shade is also available.

VOLTAGE OPERATION

Rated for operation on 120v 60Hz as standard LPF.

LAMP TYPE

One or two 8w fluorescent lamps are used dependent on the luminaire type. All luminaires are supplied complete with lamps.

LENS

A DR acrylic lens is provided for maximum light distribution.

CONVENIENCE OUTLET

A 125v 3 wire - 2 pole "U" ground outlet is provided as standard. Luminaires can be ordered without this outlet. See options.

ORDERING REFERENCES

INSIDE TYPE FLUORESCENT BERTH/MIRROR LUMINAIRES			
DESCRIPTION	LAMP SIZE	WEIGHT (lbs)	ALUMINUM TYPE
Recessed Luminaire	1 x 8w	3.5	FB18F
Recessed Luminaire	2 x 8w	3.5	FB28F

SPARE PARTS	
LENS Both Units	FX2069
LAMPHOLDERS Stationery	FX4029
CONVENIENCE OUTLET 125v 3 wire - 2 pole "U" ground	CX3001
BALLASTS 1 X 8w 120v 60Hz 2 X 8w (2 required)	FX5012 FX5012
DOUBLE POLE SWITCH	INX3012
LAMP 8w T5 Fluorescent	FX3509
PUSH TYPE SWITCH	FX3029