



### FEATURES

- ▼ Corrosion resistant copper free aluminum housing with an oven-cured polyester powder coat protective finish.
- ▼ Surface mounted and secured to desk to avoid movement.
- ▼ Available in two lamp 15w versions.
- ▼ 120v 60Hz voltage operation as standard.
- ▼ A push type momentary contact switch is provided.
- ▼ Supplied with a 8 foot three conductor SJT cord and molded plug.
- ▼ A clear diffuser is provided on standard units.
- ▼ 5 year warranty.

### APPROVALS

- ▼ UL 1598A - Marine Inside Type
- ▼ ABS
- ▼ Conforms to IP 40

### APPLICATIONS

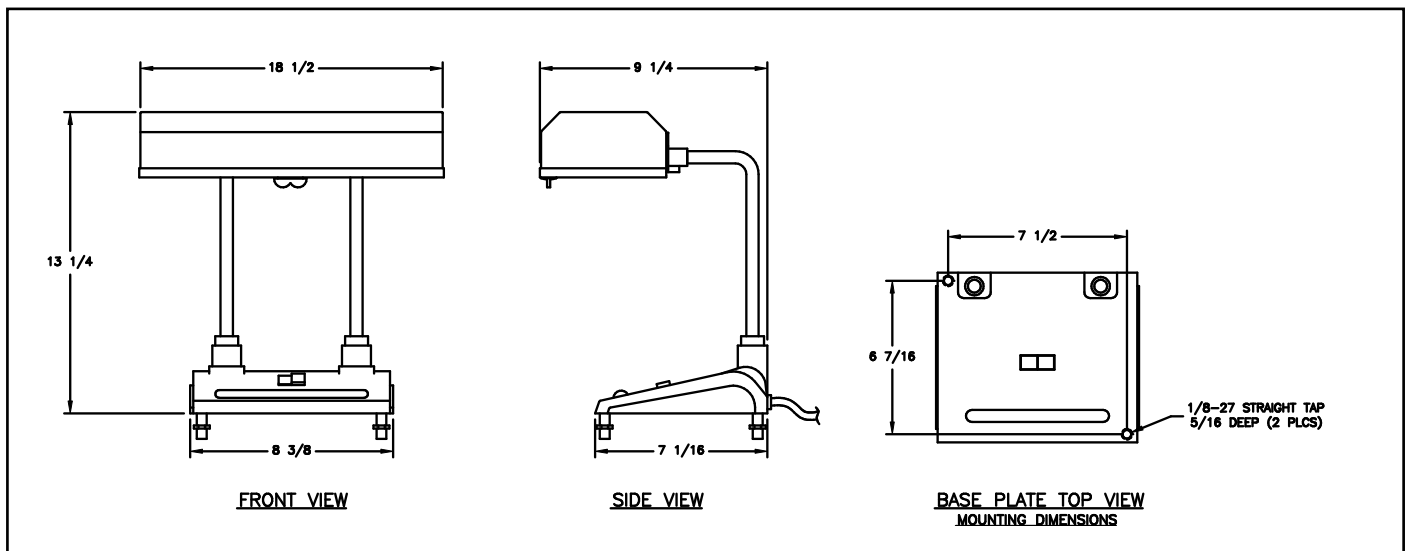
- ▼ Marine inside environments
- ▼ Accommodation modules/cabin sections
- ▼ Drill ships and exploration vessels
- ▼ Ferries
- ▼ Oil and gas platforms
- ▼ Tankers
- ▼ Passenger ships

### OPTIONS

To obtain a luminaire with any of the options listed below, please add the following suffix to the part number (not all options can be combined):

- |                                   |    |
|-----------------------------------|----|
| ▼ Red Lens (Replace CV suffix)    | RV |
| ▼ Yellow Lens (Replace CV suffix) | YV |
| ▼ Double Pole Toggle Switch       | DS |

### DIMENSIONS



Dimensions in inches

**LUMINAIRE TECHNICAL SPECIFICATIONS**

**HOUSING**

Corrosion resistant copper free aluminum housing with an oven-cured polyester powder coat protective finish.

**REFLECTOR**

Aluminum with a white high gloss polyester powder coat finish.

**LAMPHOLDERS**

Standard fluorescent lampholders are supplied with each luminaire.

**SWITCH**

A push type momentary contact switch is provided as standard. A double pole toggle is available as an option.

**VOLTAGE OPERATION**

Rated for operation on 120v 60Hz as standard LPF.

**LAMP TYPE**

Two 15w fluorescent lamps are used. All luminaires are supplied without lamps.

**LENS**

A clear high impact DR acrylic lens is supplied with an optional choice of red or yellow.

**CORD AND PLUG**

A 3 conductor SJT cord and molded plug is included with each luminaire.

**MOUNTING**

The units are surface mounted and secured by threaded studs to avoid movement.

**ORDERING REFERENCES**

INSIDE TYPE FLUORESCENT DESK LIGHTS			
DESCRIPTION	LAMP SIZE	WEIGHT (lbs)	ALUMINUM TYPE
Double Stationary Arm Light	2 x 15w	12.0	FE215CV/5
Double Adjustable Arm Light	2 x 15w	12.0	FE215CV/6

SPARE PARTS	
<b>LENS</b> Clear Red Yellow	FX2111CLR FX2111RED FX2111YEL
<b>LAMPHOLDER</b> 15w	FX4048
<b>BALLASTS</b> 1 x 15w (2 required)	FX5013
<b>MOMENTARY PUSH TYPE SWITCH</b>	FX3029
<b>DOUBLE POLE TOGGLE SWITCH</b>	INX3012
<b>LAMP</b> 15w Fluorescent	FX3508