



FEATURES

- ▼ Corrosion resistant in copper free aluminum housing with an oven-cured polyester powder coat protective finish.
- ▼ Wall mount.
- ▼ Available in two lamp 8w or 15w versions.
- ▼ 120v 60Hz voltage operation as standard. Optional 220v 60Hz unit also available.
- ▼ A double pole toggle switch is provided on the junction box of each unit.
- ▼ A flat clear high impact DR acrylic lens is provided on 15w units and optional for 8w units.
- ▼ 5 year warranty.

APPROVALS

- ▼ UL 1598A - Marine Inside Type
- ▼ ABS
- ▼ Conforms to IP 40

APPLICATIONS

- ▼ Marine inside environments
- ▼ Accommodation modules/cabin sections
- ▼ Drill ships and exploration vessels
- ▼ Ferries
- ▼ Oil and gas platforms
- ▼ Tankers
- ▼ Passenger ships

OPTIONS

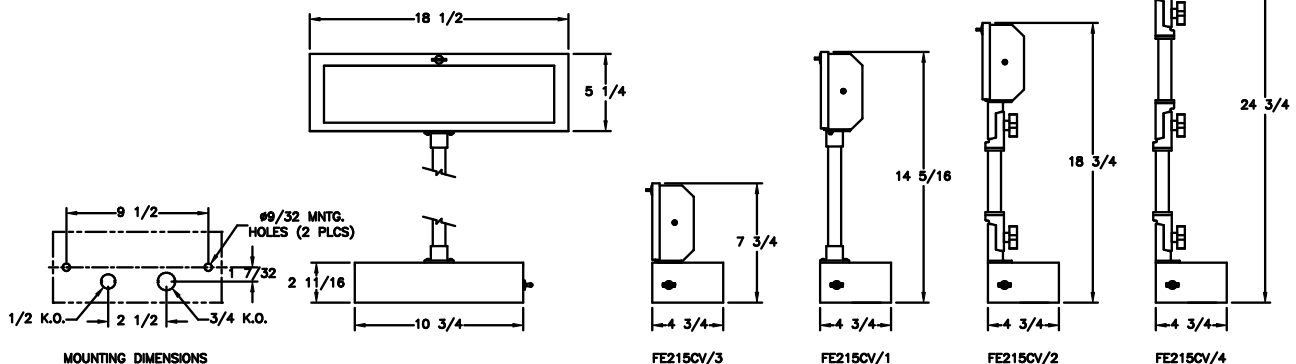
To obtain a luminaire with any of the options listed below, please add the following suffix to the part number (not all options can be combined):

- | | |
|--|-------|
| ▼ Clear Lens (8w units only) | CV |
| ▼ Red Lens (Replace CV suffix) | RV |
| ▼ Yellow Lens (Replace CV suffix) | YV |
| ▼ 125w 3 wire 2 pole "U" ground Convenience Outlet | CO |
| ▼ 220v 60Hz | -226* |

* Not available with CO option.

DIMENSIONS

FE215CV Series



LUMINAIRE TECHNICAL SPECIFICATIONS

HOUSING

Corrosion resistant copper free aluminum housing with an oven-cured polyester powder coat protective finish.

REFLECTOR

Aluminum with a white high gloss polyester powder coat finish.

LAMP HOLDERS

Standard fluorescent lampholders are supplied with each luminaire.

OUTLETS

All units are supplied with 1/2" and 3/4" NPT knockouts on the backplate.

SWITCH

A double pole toggle switch is provided as standard and is mounted on the junction box of each luminaire.

VOLTAGE OPERATION

Rated for operation on 120v 60 Hz as standard LPF. Also available in 220v 60Hz as an option

LAMP TYPE

Two 8w or 15w fluorescent lamps are used. All luminaires are supplied without lamps.

LENS

A clear high impact DR acrylic lens is supplied standard on 15w models and optional on 8w models. Other lens options include red or yellow.

MOUNTING

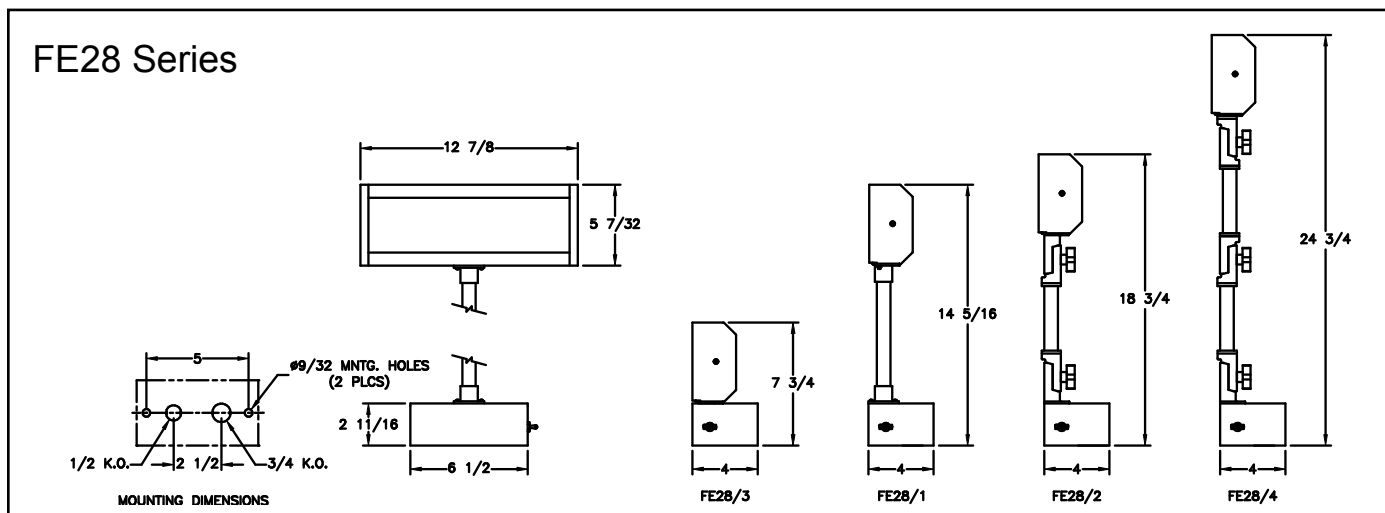
The units are wall mounted and secured by two 9/32" Ø mounting holes.

ORDERING REFERENCES

FLUORESCENT DESK & CHART LIGHTS			
DESCRIPTION	LAMP SIZE	WEIGHT (lbs)	ALUMINUM TYPE
Stationary Arm Light	2 x 8w 2 x 15w	5.0 12.0	FE28/1 FE215CV/1
Single adjustable Arm Light	2 x 8w 2 x 15w	5.0 12.0	FE28/2 FE215CV/2
No Arm, No Neck Light	2 x 8w 2 x 15w	5.0 12.0	FE28/3 FE215CV/3
Double Adjustable Arm Light	2 x 8w 2 x 15w	5.0 12.0	FE28/4 FE215CV/4

SPARE PARTS	
LENS FOR 8W LUMINAIRES	
Clear	FX2118CLR
Red	FX2118RED
Yellow	FX2118YEL
LENS FOR 15W LUMINAIRES	
Clear	FX21118CLR
Red	FX21118RED
Yellow	FX21118YEL
LAMP HOLDER	
15w	FX4048
8w	FX4000
BALLASTS	
2 x 15w	FX5001
2 x 8w	FX5214
DOUBLE POLE TOGGLE SWITCH	
	INX3012
LAMP	
15w Fluorescent	FX3508
8w Fluorescent	FX3509

DIMENSIONS



© Copyright 2006. Not to be reproduced without express permission of Pauluhn Electric Manufacturing, LLP.