



FEATURES

- ▼ Corrosion resistant copper free aluminum housing with a white oven-cured polyester powder coat high gloss protective finish.
- ▼ Wide choice of lamp options in 17w, 20w, 24w, 32w, 40w and 54w available in one, two, three and four lamp versions luminaires.
- ▼ 120v AC 60Hz as standard with other options available.
- ▼ Supplied with a flat prismatic DR acrylic lens as standard. Other DR acrylic lens options include a prismatic dropdish, white dropdish or white flat.
- ▼ Equipped with Shoc♦Loc™ bi-pin spring loaded lampholders for double ended lamps. Provides a positive contact and resistance to shock and vibration while maintaining positive electrical pin contact. Suitable for T5, T8 and T12 lamp types.
- ▼ Emergency versions available.
- ▼ Three and four lamp models are provided with 2 ballast for independent switching or color effects.
- ▼ Equipped with 2 pole terminal block mounted to access plate for ease of installation.
- ▼ 5 year warranty.

APPROVALS

- ▼ UL 1598A - Marine Inside Drip Proof Type
- ▼ UL 924 - Emergency Lighting Equipment
- ▼ ABS
- ▼ Conforms to IP 52

APPLICATIONS

- ▼ Marine and wet environments
- ▼ Offshore oil and gas platforms
- ▼ Drill ships and exploration vessels
- ▼ Tankers
- ▼ Corridor and amenity lighting

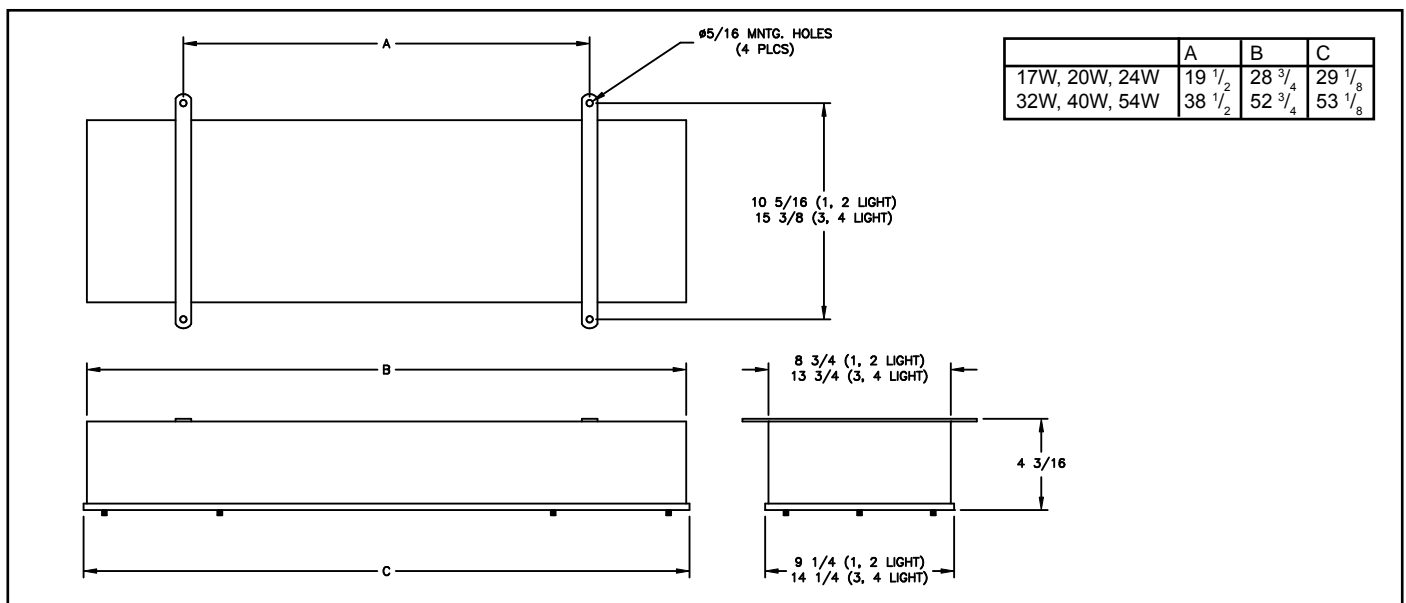
OPTIONS

To obtain a luminaire with any of the options listed below, please add the following suffix to the part number (not all options can be combined):

▼ Dropdish White Lens (Remove suffix J)	Blank
▼ Dropdish Prismatic Lens (Replace suffix J)	H
▼ Flat White Lens (Replace suffix J)	E
▼ Red Filter Tube (1 Lamp)	RV-1*
▼ Red Filter Tube (all Lamps)	RV*
▼ Blue Filter Tube (1 Lamp)	BV-1*
▼ Blue Filter Tube (all Lamps)	BV*
▼ Emergency Versions (1 lamp)	EM
▼ Emergency Versions (2 lamp)	EM2
▼ 120-277v 50/60 Hz (17, 24, 32 & 54w)	-127
▼ 220v 50Hz	-225
▼ 220v 60Hz	-226
▼ 277v 60Hz	-276

* Not available in 24w or 54w.

DIMENSIONS



LUMINAIRE TECHNICAL SPECIFICATIONS

HOUSING

Corrosion resistant copper free aluminum with an oven-cured polyester powder coat protective finish.

LAMP TYPE

T5, T8 and T12 models use standard lamps dependent on wattage, which are not provided.

BALLAST

Standard luminaires are equipped with a High Power Factor (HPF) 120v 60Hz ballast. All ballast electronic with the exception of 20w T12. Magnetic ballasts are available, please contact factory. Other voltage options and emergency ballast also available.

LAMPHOLDER

Equipped with Shoc♦Loc™ bi-pin spring loaded lampholders for double ended lamps. Provides a positive contact and resistance to shock and vibration while maintaining positive electrical pin contact. Suitable for T5, T8 and T12 lamp types.



LENS AND LENS ASSEMBLY

Supplied with a flat prismatic DR acrylic lens as standard. The lens is attached to the lens frame by spring clips while the frame assembly is held to the housing with a sliding hinge arrangement and is secured into position by captive knurled screws. Other DR acrylic lens options include a prismatic dropdish, white dropdish or white flat. See options for substitute codes.

MOUNTING

Two heavy duty aluminum mounting straps are attached to the back of each luminaire each with two $\frac{5}{16}$ " diameter mounting holes.

OUTLETS

All units are supplied with two $\frac{1}{2}$ " and two $\frac{3}{4}$ " NPT knockouts at each end.

TERMINAL BLOCK

A two pole terminal block is provided. The terminal block is located on an access plate for ease of installation. Lamps not provided.

ORDERING REFERENCES

DRIP PROOF FLUORESCENT LUMINAIRES				
DESCRIPTION	LAMP TYPE	LAMP SIZE	WEIGHT (lbs)	DRIP PROOF LUMINAIRE
Ceiling Luminaire 17w	F17T8	1 x 17w	9.8	FS117J
		2 x 17w	10.3	FS217J
		3 x 17w	16.0	FS317J
		4 x 17w	16.5	FS417J
Ceiling Luminaire 20w	F20T12	1 x 20w	10.8	FS120J
		2 x 20w	11.3	FS220J
		3 x 20w	18.0	FS320J
		4 x 20w	18.5	FS420J
Ceiling Luminaire 24w	F24T5/HO	1 x 24w	9.8	FS124J
		2 x 24w	10.3	FS224J
		3 x 24w	16.0	FS324J
		4 x 24w	16.5	FS424J
Ceiling Luminaire 32w	F32T8	1 x 32w	14.0	FS132J
		2 x 32w	14.5	FS232J
		3 x 32w	22.8	FS332J
		4 x 32w	23.3	FS432J
Ceiling Luminaire 40w	F40T12	1 x 40w	15.0	FS140J
		2 x 40w	15.5	FS240J
		3 x 40w	24.8	FS340J
		4 x 40w	25.3	FS440J
Ceiling Luminaire 54w	F54T5/HO	1 x 54w	14.0	FS154J
		2 x 54w	14.5	FS254J
		3 x 54w	22.8	FS354J
		4 x 54w	23.3	FS454J

SPARE PARTS	
LAMPHOLDER	
Spring Loaded	FX4009
Stationary	FX4008
Set (one of each)	FX4008SET
LENS	
One and Two Lamp 17/20/24w	FX2034
Three and Four Lamp 17/20/24w	FX2035
One and Two Lamp 32/40/54w	FX2036
Three and Four Lamp 32/40/54w	FX2037
TERMINAL BLOCK	
Phenolic	FX3001
BALLASTS	
1 X 17w	FX5173
2 X 17w	FX5260
1 x 20w	FX5009
2 x 20w	FX5001
1 x 24w	FX5307
2 x 24w	FX5307
2 x 32w	FX5173H
2 x 32w	FX5260H
1 x 40w	FX5011
2 x 40w	FX5004
1 x 54w	FX5305
2 x 54w	FX5305