



## FEATURES

- ▼ Stem/Pendant mount (1158) or junction box (1159) versions available.
- ▼ Corrosion resistant housing in rugged cast marine brass or natural copper free aluminum.
- ▼ High impact protective guard in rugged web cast marine brass or natural copper free aluminum available as an option.
- ▼ Suitable for use with lamps up to 100w A-19 maximum dependant on color of lens used.
- ▼ Supplied with clear fresnel lens as standard with a choice of colored lens in yellow, green, red and blue.
- ▼ Unique gasketed design ensures complete weather tight seal preventing ingress of dirt and moisture into the luminaire.
- ▼ Suitable for mounting base up or down.
- ▼ 5 year warranty.

## APPROVALS

- ▼ UL 844 - Hazardous Locations  
 Class I Division 2 Groups A, B, C & D  
 Class I Zone 2 Groups IIA, IIB, IIB + H2 and IIC
- ▼ ABS
- ▼ UL 1598 - Suitable for Wet Locations
- ▼ Type 4X
- ▼ Conforms to IP 66
- ▼ Complies with CAP 437 (Green only, option 7)

## APPLICATIONS

- ▼ Hazardous locations
- ▼ Marine and wet environments
- ▼ Offshore oil and gas platforms
- ▼ Drill ships and exploration vessels
- ▼ Tankers
- ▼ Obstruction marking
- ▼ Heli-pad marking

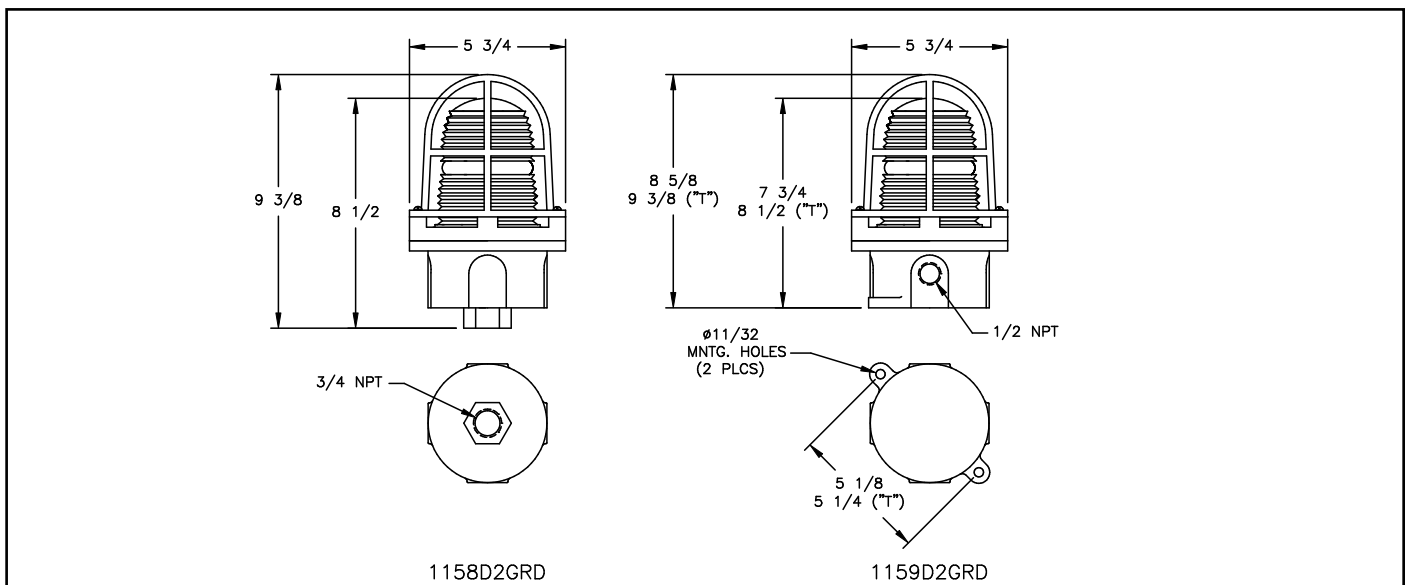
## OPTIONS

To obtain a luminaire with any of the options listed below, please add the following suffix to the part number (not all options can be combined):

- |   |     |
|---|-----|
| ▼ Porcelain Lampholder                  | P   |
| ▼ Shockproof Lampholder                 | SP  |
| ▼ 4 Pole Terminal Block (Box type only) | T   |
| ▼ Guard                                 | GRD |
| ▼ CAP 437 Compliant                     | 7*  |

\* For Green model only, includes lamp.

## DIMENSIONS



Dimensions in inches

**LUMINAIRE TECHNICAL SPECIFICATIONS**

**HOUSING**

Corrosion resistant in heavy cast marine brass or copper free aluminum.

**GUARD**

High impact protective guard in rugged heavy web cast marine brass or natural copper free aluminum available as an option.

**OUTLETS**

All junction box units are supplied drilled and tapped with one 1/2" NPT outlet as standard. Stem mount versions are supplied with 3/4" NPT outlets as standard. Other drilling and tapping options also available.

**GASKETS**

One piece silicone gasket provides a watertight seal between the lens and housing.

**LENS**

A clear fresnel glass lens is provided as standard. Colored lenses are available in yellow, green, red and blue.

**LAMPHOLDER**

A medium base lampholder with a nickel plated copper screw shell is supplied as standard. A porcelain or shockproof lampholder is also available as an option.

**LAMP TYPE**

The luminaire is suitable for lamps up to 100w A-19 maximum. A max 100w A-19 lamp may be used with clear, yellow, green and red lenses. A 40w max A-19 lamp only should be used with a blue lens. All luminaires are supplied without lamps. Option 7 for green globe includes par 20, 35 watt lamp.

**TERMINAL BLOCK**

A four pole terminal block is supplied as an option on junction box luminaires only.

**ORDERING REFERENCES**

INCANDESCENT HELIPORT DECK LIGHT					
DESCRIPTION	MAX LAMP SIZE	TEMP CODE AT 40° C	MARINE BRASS WT (lbs)	MARINE BRASS TYPE (B)	ALUMINUM TYPE (A)
Stem Mount Clear Lens	100w A-19	T2	8.0	1158BCLRD2	1158ACLRD2
Box Mount Clear Lens	100w A-19	T2C	9.0	1159BCLRD2	1159ACLRD2
Stem Mount Red Lens	100w A-19	T2	8.0	1158BREDD2	1158AREDD2
Box Type Red Lens	100w A-19	T2C	9.0	1159BREDD2	1159AREDD2
Stem Mount Blue Lens	40w A-19	T2C	8.0	1158BBLUD2	1158ABLUD2
Box Mount Blue Lens	40w A-19	T3A	9.0	1159BBLUD2	1159ABLUD2
Stem Mount Green Lens	100w A-19	T2	8.0	1158BGRND2	1158AGRND2
Box Mount Green Lens	100w A-19	T2C	9.0	1159BGRND2	1159AGRND2
Stem Mount Yellow Lens	100w A-19	T2	8.0	1158BYELD2	1158AYELD2
Box Mount Yellow Lens	100w A-19	T2C	9.0	1159BYELD2	1159AYELD2

**SPARE PARTS**

LAMP HOLDERS		LENS	LAMP	
Standard Medium Base	INX4000		Clear	40W A-19
Shockproof Porcelain	INX4000SP	Green	100w A-19	INX3528
	INX4000P	Blue		
		Red		
		Yellow		
GUARDS			TERMINAL BLOCK	
Bronze Guard	INX1004B		4 Pole	CX3070
Aluminum Guard	INX1004A			
(Standard guard fits both luminaire types)			GASKETS	
			Gasket set	GKT1143