



FEATURES

- ▼ 100w Quartz Halogen with rotating reflector at 75 RPM in Wall (EPB), Ceiling (EPC) or Pendant (EPP) mounts.
- ▼ Corrosion resistant housing in cast marine brass or natural copper free aluminum.
- ▼ Heavy web cast marine brass or copper free aluminum protective guard prevents damage to globe available as an option.
- ▼ 120v AC 50 or 60Hz as standard. Other options available.
- ▼ Supplied with a clear heat resistant high impact globe as standard. A choice of colored globes in yellow, green, red and blue is also available.
- ▼ Ideal choice for locations where flammable gases or corrosive atmospheres may be present.
- ▼ 5 year warranty.

APPROVALS

- ▼ UL 844 - Hazardous Locations
Class I Divisions 1 & 2 Groups C & D
- ▼ UL 1638 - Marine Visual Signaling Device
- ▼ Type 4X
- ▼ ABS
- ▼ Conforms to IP 66

APPLICATIONS

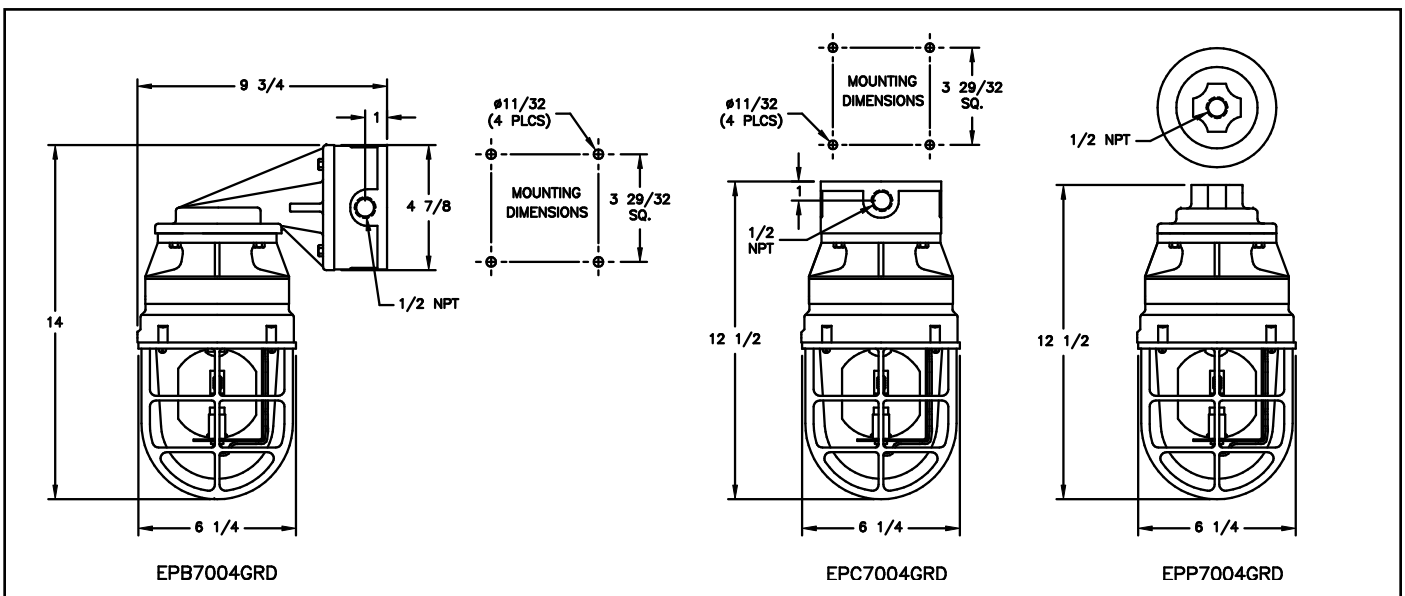
- ▼ Hazardous locations
- ▼ Marine and wet environments
- ▼ Offshore oil and gas platforms
- ▼ Drill ships and exploration vessels
- ▼ Tankers
- ▼ Obstruction marking
- ▼ Process/Environmental signaling

OPTIONS

To obtain a luminaire with any of the options listed below, please add the following suffix to the part number (not all options can be combined):

- | | |
|-------------------|-----|
| ▼ 12v DC Type | -5 |
| ▼ 240v AC 50/60Hz | -4 |
| ▼ Red Lens | RED |
| ▼ Blue Lens | BLU |
| ▼ Green Lens | GRN |
| ▼ Yellow Lens | YEL |
| ▼ Guard | GRD |

DIMENSIONS



Dimensions in inches

LUMINAIRE TECHNICAL SPECIFICATIONS

HOUSING

Available in cast marine brass or copper free aluminum.

GUARD

Natural heavy web cast marine brass or natural copper free aluminum available as an option.

OUTLETS

All units are supplied drilled and tapped with one 1/2" NPT outlets as standard. Junction box types (ceiling/bulkhead) can be supplied with a maximum of four 3/4" NPT outlets. Pendant types can be supplied with a maximum of one 3/4" NPT outlet only.

GASKETS

One continuous piece neoprene gasket provides a watertight seal between the globe assembly and housing.

MOUNTING

For vertical mounting. Lamp base up only.

VOLTAGE OPERATION

Standard voltage operation is 120v AC 60Hz. Other options available in 12v DC, or 240v AC 50 or 60Hz. See options for ordering details.

LAMP TYPE

A 100w quartz halogen lamp is supplied with each luminaire as standard.

GLOBE

A clear heat and impact resistant glass globe is provided as standard. Colored types are available in yellow, green, red and blue.

HARDWARE

Stainless steel for all types.

TEMPERATURE CODE

Temperature rating is T3 at 40° C ambient temperature.

ORDERING REFERENCES

ROTATING BEACONS				
DESCRIPTION	MARINE BRASS TYPE (B)	MARINE BRASS WT (lbs)	ALUMINUM TYPE (A)	ALUMINUM WT (lbs)
Celing Mount	EPC7004B	22.0	EPC7004A	9.0
Pendant Mount	EPP7004B	20.0	EPP7004A	8.0
Bulkhead Mount	EPB7004B	29.0	EPB7004A	11.5

SPARE PARTS			
GUARDS Bronze Aluminum (Standard guard fits all luminaire types)	INX1005B	GLOBE ASSEMBLY Bronze Clear Aluminum Clear Bronze Red Aluminum Red Bronze Blue Aluminum Blue Bronze Green Aluminum Green Bronze Yellow Aluminum Yellow	INX9012B
	INX1005A		INX9012A INX9012BRED INX9012ARED INX9012BBLU INX9012ABLU INX9012BGRN INX9012AGR INX9012BYEL INX9012AYEL
MOTORS 120v AC 60Hz 240v AC 50 or 60Hz 12v DC	INX3345	LAMPS 100w Quartz Halogen 120v AC 100w Quartz Halogen 240v AC 100w Quartz Halogen 12v AC	INX3629
	INX3345-4 INX3345-5		INX3680 INX3671
LAMPHOLDERS	INX4011		