



FEATURES

- ▼ Suitable for use with lamps up to 116w A-21 maximum.
- ▼ Aeronautical obstruction light with bottom or side entry versions.
- ▼ Corrosion resistant housing in rugged copper free aluminum.
- ▼ Available in single and double lamp units.
- ▼ Quick and easy relamping through quick release side latches.
- ▼ Supplied with a red fresnel lens as standard.
- ▼ Optional transfer relay for use on 116w lamps allows power to be transferred to a second lamp on the first lamp failure.
- ▼ 5 year warranty.

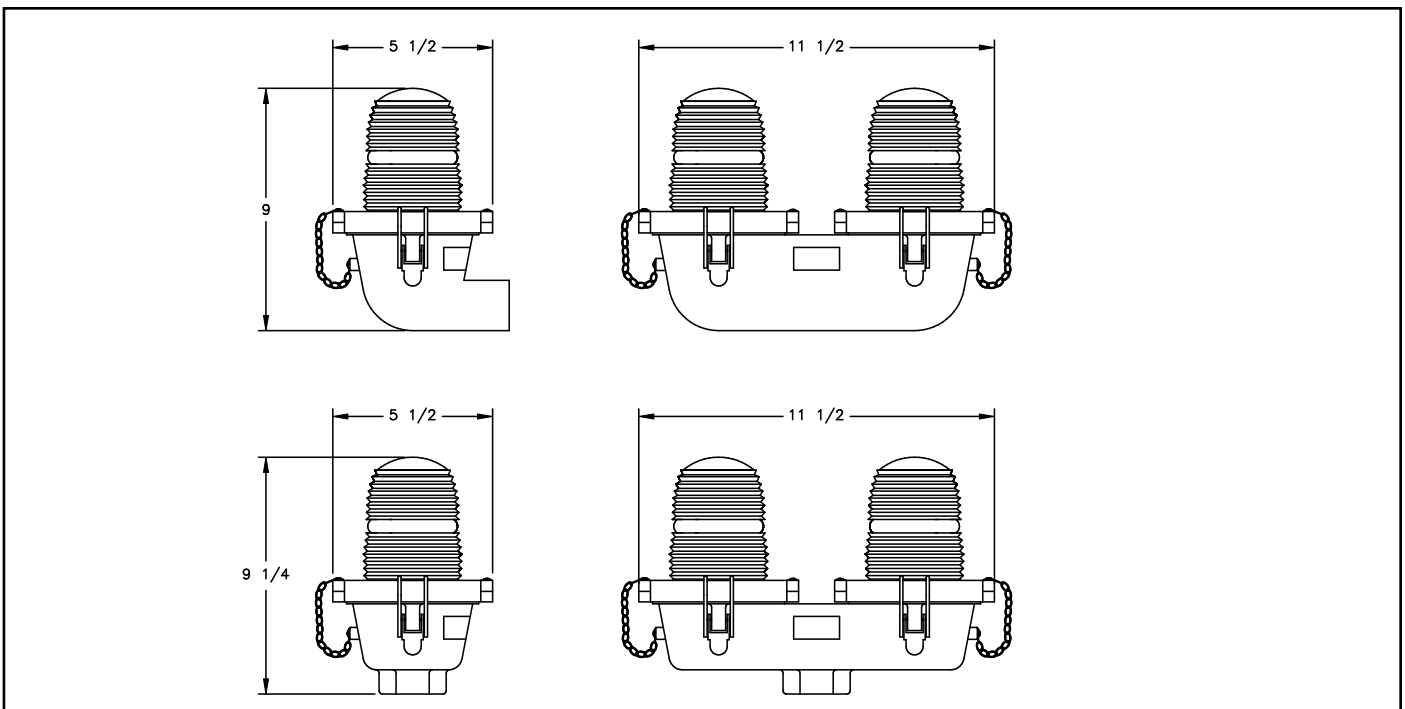
APPROVALS

- ▼ FAA L810
- ▼ (AC 150/5345 - 43D)

APPLICATIONS

- ▼ Airports
- ▼ Vessel Mast Obstruction
- ▼ Drill ships and Tankers
- ▼ Cargo ships
- ▼ Crane Boom Marking
- ▼ Heli-pad marking

DIMENSIONS



Dimensions in inches

LUMINAIRE TECHNICAL SPECIFICATIONS

HOUSING

Available in copper free aluminum.

OUTLETS

Available with bottom or side entry 3/4" or 1" conduit entrance taps.

GASKETS

One continuous piece neoprene gasket provides an effective seal between the lens and housing.

LAMPHOLDER

Double lamp units are supplied with two medium screw base lampholders while the single units have one medium screw base lampholder.

VOLTAGE OPERATION

All luminaires are supplied rated to operate up to 230v AC. Luminaire with Transfer Relay (TR) should be specified 120V (1) or 220V (2) to end of part number.

LAMP TYPE

Both the luminaire types are suitable for 116w A-21 lamps maximum. Fixtures are supplied without lamps.

RETAINING CHAIN

A stainless steel retaining chain is provided. Fastened between the base and the lens holder to support and help prevent damage or loss of the lens during servicing.

ORDERING REFERENCES

INCANDESCENT AERONAUTICAL OBSTRUCTION LUMINAIRES						
DESCRIPTION	MAX LAMP SIZE & NO	WEIGHT (lbs)	CONDUIT ENTRANCE	CONDUIT TAP	LAMPHOLDER	TYPE
Single Unit	1 x 116w	4.0	Side	3/4"	Medium Base	POB21A31
Single Unit	1 x 116w	4.0	Side	1"	Medium Base	POB21A41
Single Unit	1 x 116w	4.0	Bottom	3/4"	Medium Base	POB20A31
Single Unit	1 x 116w	4.0	Bottom	1"	Medium Base	POB20A41
Double Unit Base	2 x 116w	8.0	Bottom	3/4"	Two Medium	POB22A31
Double Unit Base	2 x 116w	8.0	Bottom	1"	Two Medium	POB22A41
Double Unit w/Transfer Relay	2 x 116w	8.0	Bottom	1"	Two Medium Base and Relay	POB22TR4
Double Unit w/Cable Support	2 x 116w	8.0	Bottom	1"	Two Medium Base and Support	POB22CS4
Double Unit	2 x 116w	8.0	Side	3/4"	Two Medium Base	POB24A31
Double Unit Base	2 x 116w	8.0	Side	1"	Two Medium	POB24A41
Double Unit w/Transfer Relay	2 x 116w	8.0	Side	3/4"	Two Medium Base and Relay	POB24TR3
Double Unit w/Transfer Relay	2 x 116w	8.0	Side	1"	Two Medium Base and Relay	POB24TR4

SPARE PARTS			
LAMP 116w A-21/TS 120v	POL116B	LAMP HOLDER	PLX1019
		SPRING FOR LATCH	PHA5037
NEOPRENE GASKET	PPK1095A	TRANSFER RELAY	PKR1050A
		RED LENS	PGL1020
		LENS HOLDER ASSEMBLY	PAU5039