



FEATURES

- ▼ Two pole breaker units are rated for 480v AC or 250v DC while the three pole units are rated for 480v AC only.
- ▼ Corrosion resistant enclosures in cast marine brass.
- ▼ Interlocking design of the breakers prevents the insertion or removal of the plug while the unit is energized.
- ▼ External control handle has provision for padlocking.
- ▼ Receptacles are rated for operation on 125v AC as standard but can be supplied in 250v, 277v, 380v and 480v as an option.
- ▼ 5 year warranty.

APPROVALS

- ▼ ABS
- ▼ Type 4X
- ▼ Conforms to IP 66

APPLICATIONS

- ▼ Marine and wet environments
- ▼ Offshore oil and gas platforms
- ▼ Drill ships and exploration vessels
- ▼ Tankers
- ▼ Ferries/Passenger Ships

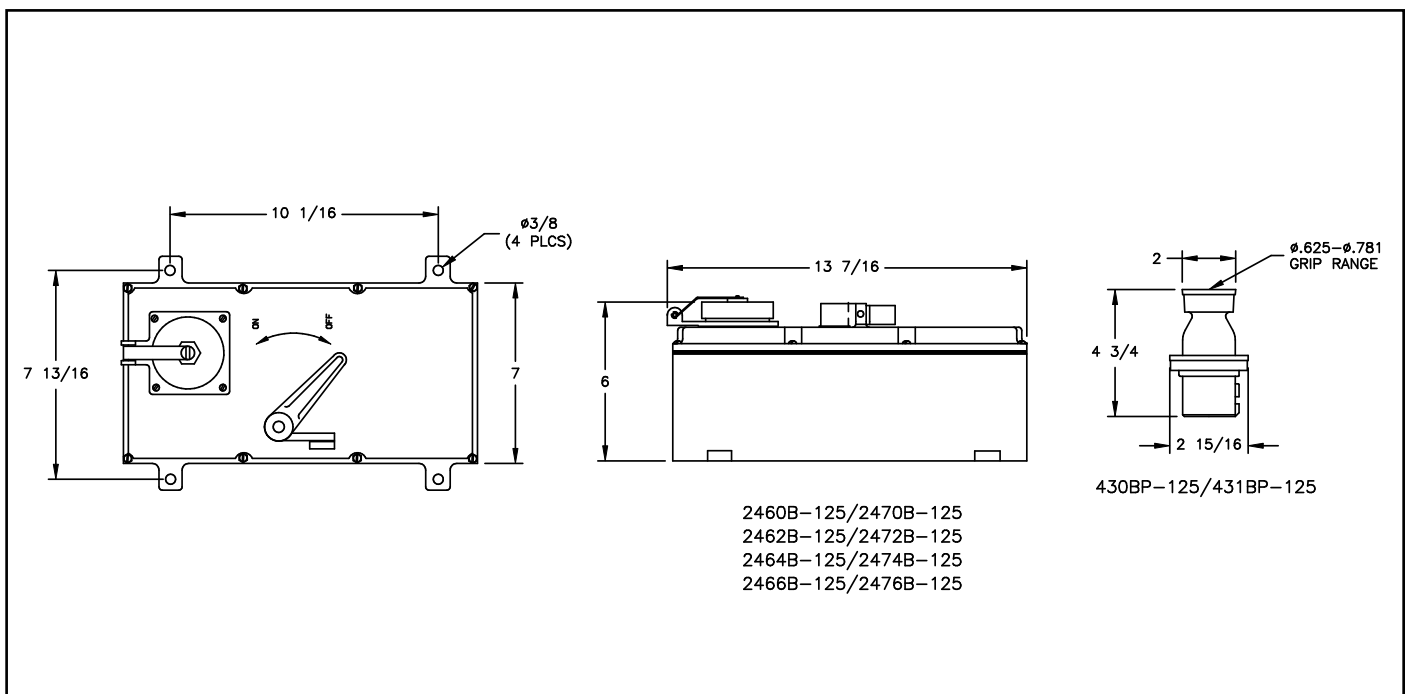
OPTIONS

To obtain a luminaire with one of the following options listed below add the following suffix (not all options can be combined):

- | | |
|-------------------|----------------------|
| ▼ 250v Receptacle | -250 (Replace -125)* |
| ▼ 277v Receptacle | -277 (Replace -125)* |
| ▼ 380v Receptacle | -380 (Replace -125)* |
| ▼ 480v Receptacle | -480 (Replace -125)* |

Note: Changing the suffix changes the voltage rating of the receptacle. The circuit breaker is dependent of model selected.

DIMENSIONS



Dimensions in inches



MARINE, OUTSIDE AND CORROSIVE ENVIRONMENTS WATERTIGHT COMBINATION RECEPTACLE AND BREAKER

TECHNICAL SPECIFICATIONS

HOUSING

Cast marine brass with a natural finish.

HARDWARE

Stainless steel for all types.

OUTLETS

All units are furnished blank but can be supplied with up to four 1 1/2" NPT outlets. Please state requirements on application.

MOUNTING

Surface mounted via four 3/8" Ø mounting holes.

PLUG

Pin and sleeve Pauluhn type configuration, 30 Amp maximum. For safety reasons plugs can only be inserted or removed while the units are turned off.

VOLTAGE OPERATION BREAKERS

Two pole breakers are all rated for operation on 480v AC or 250v DC while the three pole breakers are for operation on 480v AC only. 2P3W or 3P4W units are available.

RECEPTACLES

Pin and sleeve Pauluhn type configuration. Supplied to operate on 125v AC as standard. Other optional voltages available are 250v AC, 277v AC, 380v AC or 480v AC. See options for ordering codes.

ORDERING REFERENCES

BREAKERS AND PLUGS			
DESCRIPTION	MARINE BRASS	2P3W MARINE BRASS WEIGHT (lbs)	3P4W MARINE BRASS TYPE (A)
15 Amp Breaker	31.5	2460B-125	2470B-125
20 Amp Breaker	31.5	2462B-125	2472B-125
30 Amp Breaker	31.5	2464B-125	2474B-125
40 Amp Breaker	31.5	2466B-125	2476B-125
Plug	2.8	430BP-125	431BP-125

SPARE PARTS				
2 POLE BREAKERS		3 POLE BREAKERS		BOXES Marine Brass INX6041B
15 Amp	INX3086	15 Amp	INX3093	
20 Amp	INX3087	20 Amp	INX3094	COVERS WITH HANDLE Marine Brass INX6650B
30 Amp	INX3088	30 Amp	INX3095	
40 Amp	INX3089	40 Amp	INX3096	
GASKET	GKT5005	CAPS Marine Brass	INX8030B	
2P3W INTERIORS		3P4W INTERIORS		
Plug	INX3073	Plug	INX3074	
Receptacle	INX3043	Receptacle	INX3057	