



FEATURES

- ▼ Straight blade 2P3W type receptacles.
- ▼ Available in 15/20 Amp 125v AC and 15/20 Amp 250v AC with interiors to NEMA configurations.
- ▼ Corrosion resistant enclosures in die cast aluminum.
- ▼ Both horizontal or vertical configurations available.
- ▼ 5 year warranty.

APPROVALS

- ▼ NEMA 5-15R, 5-20R, 6-15R, 6-20R
- ▼ ABS
- ▼ Conforms to IP 52

APPLICATIONS

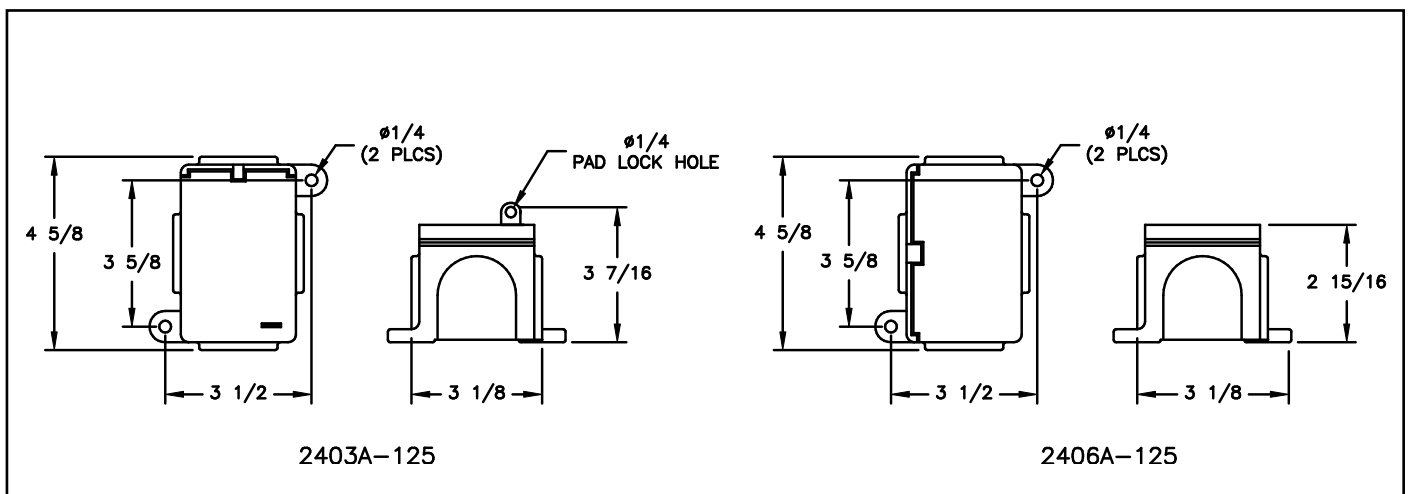
- ▼ Marine and wet environments
- ▼ Offshore oil and gas platforms
- ▼ Drill ships and exploration vessels
- ▼ Tankers

OPTIONS

To obtain a luminaire with any of the options listed below add the following suffix (not all options can be combined):

- ▼ Ground Fault Circuit (for 125v AC only) Interrupter Receptacle GF

DIMENSIONS



Dimensions in inches

TECHNICAL SPECIFICATIONS

JUNCTION BOX

Die cast aluminum with a natural finish.

COVERS

Die-cast aluminum with a natural finish.

HARDWARE

Stainless steel.

OUTLETS

All units are supplied blank as standard but are suitable for supply with up to four 1" NPT outlets. Please state requirements on application.

VOLTAGE OPERATION SWITCHES

Both horizontal and vertical types have units that will operate on 15/20 Amp 125v or 250v AC. All interiors have NEMA configurations as follows: 15 Amp 125v AC NEMA 5-15R, 15 Amp 250v AC NEMA 6-15R, 20 Amp 125v AC NEMA 5-20R, 20Amp 250v AC NEMA 6-20R

MOUNTING

Units are mounted using two 1/4" Ø mounting holes.

ORDERING REFERENCES

MARINE WEATHERPROOF RECEPTACLES			
DESCRIPTION	ALUMINUM WEIGHT (lbs)	15/20 AMP 125V NEMA 5-20R	15/20 AMP 250V NEMA 6-20R
Vertical	1.8	2405A-125	2405A-250
Horizontal	1.8	2407A-125	2407A-250

SPARE PARTS			
BOXES		COVER	
Vertical	INX6030A-H	Vertical	INX6549A
Horizontal	INT INX6030A-H	Horizontal	INX6501A
RECEPTACLES			
20 Amp 125v	INX3164		
20 Amp 250v	INX3165		