



FEATURES

- ▼ Double pole rotary switches rated for operation on 20 Amp 240v AC max, supply standard on some models.
- ▼ Choice of corrosion resistant enclosures in cast marine brass or copper free aluminum.
- ▼ Receptacles are supplied with 2P3W (U-Ground, straight blade type) 125v AC 15/20 Amp interior. 250v AC units are available as an option.
- ▼ Receptacles will accept 15A or 20A Amp plugs.
- ▼ 5 year warranty.

APPROVALS

- ▼ NEMA 5-15R, 6-15R, 5-20R, 6-20R
- ▼ ABS
- ▼ Type 4X
- ▼ Conforms to IP 66

APPLICATIONS

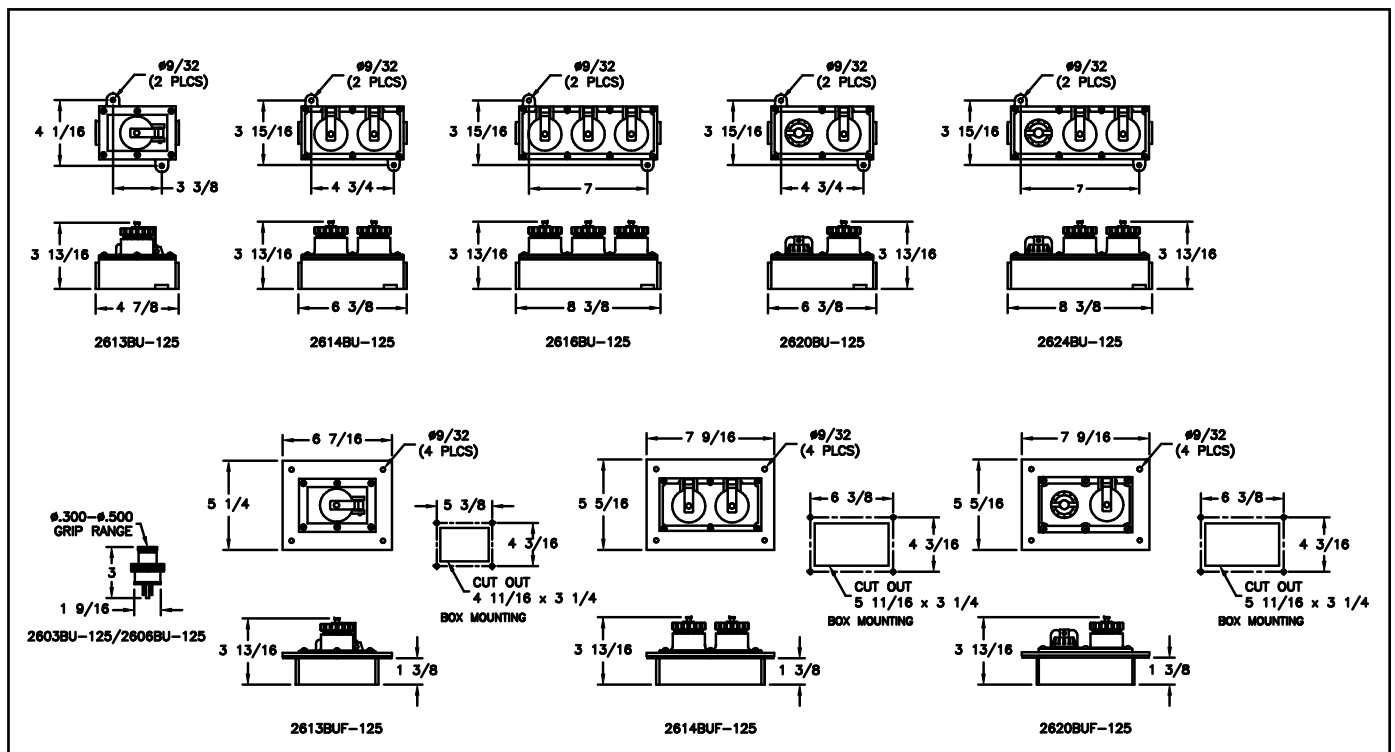
- ▼ Marine and wet environments
- ▼ Offshore oil and gas platforms
- ▼ Drill ships and exploration vessels
- ▼ Tankers
- ▼ Ferries/Passenger Ships

OPTIONS

To obtain a luminaire with one of the following options listed below add the following suffix:

- ▼ 250v -250 (Replace 125 suffix)

DIMENSIONS



Dimensions in inches



TECHNICAL SPECIFICATIONS

HOUSINGS

Cast marine brass or copper free aluminum with a natural finish.

MOUNTING

Units are available for surface or flush mounting.

HARDWARE

Stainless steel.

VOLTAGE OPERATION SWITCHES

Double pole rotary switches are available for operation on 20 Amp 240v AC max.

OUTLETS

All units are furnished blank but can be supplied with up to two $\frac{3}{4}$ " NPT outlets. Please state requirements on application.

RECEPTACLES

Supplied with a 2P3W (U-Ground, straight blade type) 125v AC 15/20 Amp interior. Alternatively a 250v rated interior can be supplied as an option.

ORDERING REFERENCES

MARINE WATERTIGHT SWITCHES AND RECEPTACLES FOR SURFACE AND FLUSH MOUNT

DESCRIPTION	MARINE BRASS TYPE 20 AMP	MARINE BRASS (B) WEIGHT (lbs)	ALUMINUM (A) TYPE 20 AMP	ALUMINUM WEIGHT (lbs)
One Receptacle for Surface Mount	2613BU-125	4.0	2613AU-125	1.5
Two Receptacles for Surface Mount	2614BU-125	5.5	2614AU-125	2.0
Three Receptacles for Surface Mount	2616BU-125	6.8	2616AU-125	2.5
One Receptacle with Double Pole Switch for Surface Mount	2620BU-125	5.5	2620AU-125	2.0
Two Receptacles with Double Pole Switch for Surface Mount	2624BU-125	6.8	2624AU-125	2.5
One Receptacle for Flush Mount	2613BUF-125	4.5	2613AUF-125	1.7
Two Receptacles for Flush Mount	2614BUF-125	6.5	2614AUF-125	2.4
One Receptacle with Double Pole for Flush Mount	2620BUF-125	6.5	2620AUF-125	2.4

PLUGS

15 Amp Marine Brass 2603BU-125	15 Amp Aluminum 2603AU-125	20 Amp Marine Brass 2606BU-125	20 Amp Aluminum 2606AU-125
--------------------------------	----------------------------	--------------------------------	----------------------------

SPARE PARTS

SURFACE MOUNT UNITS	MARINE BRASS COVER	ALUMINUM COVER	MARINE BRASS BOX	ALUMINUM BOX	GASKETS	
One Receptacle	INX6538B	INX6538A	INX6020B	INX6020A	GKT5007	
Two Receptacles	INX6539B	INX6539A	INX6021B	INX6021A	GKT6006	
Three Receptacles	INX6540B	INX6540A	INX6022B	INX6022A	GKT5012	
One Receptacle with Switch	INX6541B	INX6541A	INX6021B	INX6021A	GKT6006	
Two Receptacles with Switch	INX6656B	INX6656A	INX6022B	INX6022A	GKT5012	
FLUSH MOUNT UNITS	MARINE BRASS COVER	ALUMINUM COVER	MARINE BRASS BOX	ALUMINUM BOX	COVER GASKET	BOX GASKET
One Receptacle	INX6538B	INX6538A	INX6023B	INX6023A	GKT5007	GKT5046
Two Receptacles	INX6539B	INX6539A	INX6024B	INX6024A	GKT6006	GKT5045
One Receptacle with Switch	INX6541B	INX6541A	INX6024B	INX6024A	GKT6006	GKT5045
RECEPTACLE INTERIORS	KNOB AND SHAFT ASSEMBLY		CAPS		SWITCHES	
20 Amp 125v INX3181	Marine Brass	INX8002B	Marine Brass	INX8004B	Double Pole	INX3192
20 Amp 250v INX3182	Aluminum	INX8002A	Aluminum	INX8004A		