



## FEATURES

- ▼ 2P3W and 3P4W pin and sleeve Pauluhn type configuration with optional plugs.
- ▼ Corrosion resistant enclosures in cast marine brass or copper free aluminum.
- ▼ Supplied in 20 Amp 125v as standard for both units. 2P3W units can also be supplied in 250v, 277v or 480v while 3P4W units can be supplied in 208v 250v, 480v or 600v.
- ▼ Reverse service option.
- ▼ Adapters available to switch the 125 or 250v from pin and sleeve Pauluhn type configuration to NEMA 5-20R or G-20R.
- ▼ 5 year warranty.

## APPROVALS

- ▼ ABS
- ▼ Type 4X
- ▼ Conforms to IP 66

## APPLICATIONS

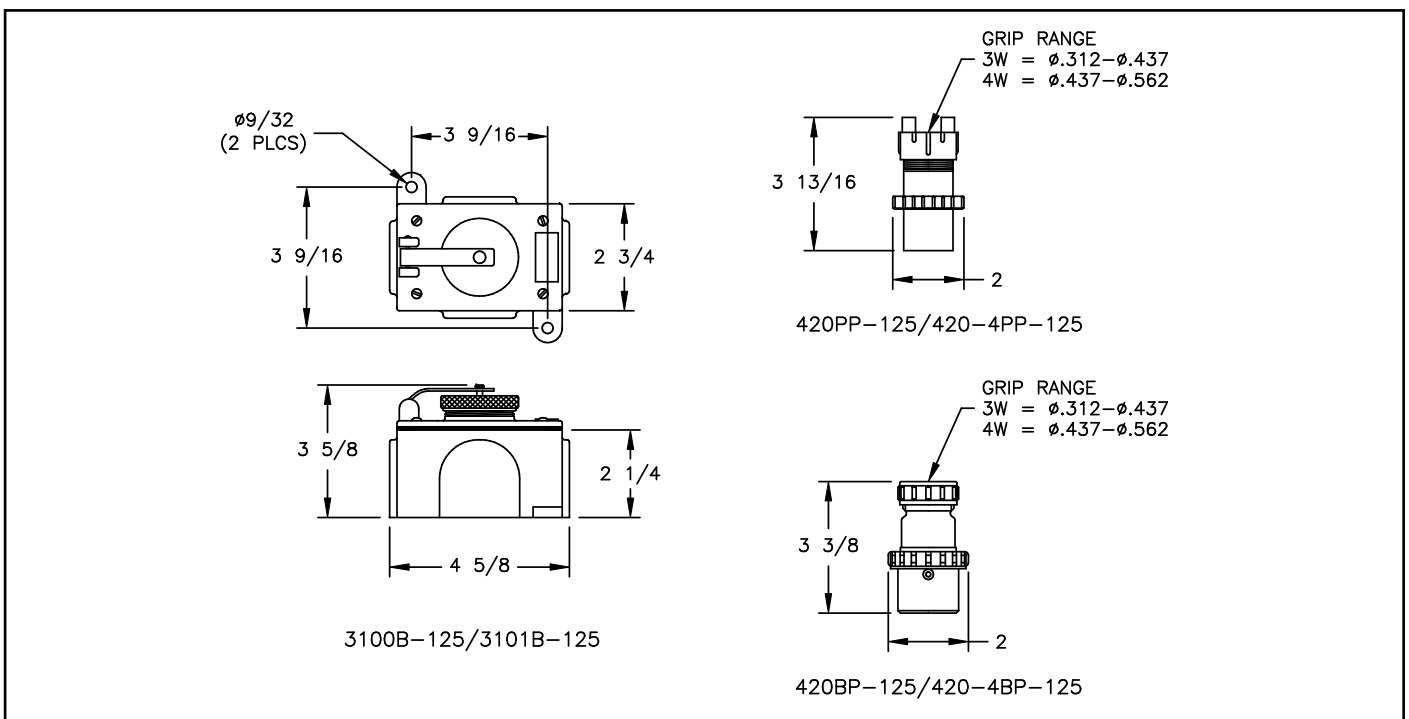
- ▼ Marine and wet environments
- ▼ Offshore oil and gas platforms
- ▼ Drill ships and exploration vessels
- ▼ Tankers

## OPTIONS

To obtain a luminaire with one of the following options listed below add the following suffix (not all options can be combined):

- |                              |                     |
|------------------------------|---------------------|
| ▼ 208v (3P4W unit only)      | -208 (Replace -125) |
| ▼ 250v unit                  | -250 (Replace -125) |
| ▼ 277v (2P3W unit only)      | -277 (Replace -125) |
| ▼ 480v unit                  | -480 (Replace -125) |
| ▼ 600v unit (3P4W unit only) | -600 (Replace -125) |
| ▼ Reverse Service            | RS                  |

## DIMENSIONS



Dimensions in inches

**TECHNICAL SPECIFICATIONS**

**HOUSING**

Cast marine brass or copper free aluminum with a natural finish.

**HARDWARE**

Stainless steel.

**OUTLETS**

Standard units are supplied blank but are suitable for supply with up to four 1" NPT outlets. Please state requirements on application.

**VOLTAGE OPERATION**

Standard units are supplied for operation on 20 Amp 125v. 2P3W units are also available for operation on 250v, 277v or 480v as options. 3P4W units are additionally available for operation on 208v, 250v, 480v or 600v.

**MOUNTING**

Units are mounted using two  $\frac{9}{32}$ "  $\varnothing$  mounting holes.

**PLUGS AND RECEPTACLES**

Pin and sleeve Pauluhn type configuration supplied for operation on 20 or 30 Amps.

**ORDERING REFERENCES**

MARINE WATERTIGHT RECEPTACLES AND PLUGS					
DESCRIPTION	MARINE BRASS WT(lbs)	MARINE BRASS (B) TYPE 2P3W	ALUMINUM (A) TYPE 2P3W	MARINE BRASS (B) TYPE 3P4W	ALUMINUM (A) TYPE 3P4W
Single Receptacle	4.3	3100B-125	3100A-125	3101B-125	3101A-125
Metal Plug	0.8	420BP-125	420-4AP-125	420-4BP-125	420-4AP-125
Plastic Plug	0.4	420PP-125	420PP-125	420-4PP-125	420-4PP-125

SPARE PARTS					
<b>2P3W INTERIORS</b>		<b>3P4W INTERIORS</b>		<b>COVERS</b>	
Receptacle	INX3022-125	Receptacle	INX3023-125	Marine Brass	INX6550B
Metal Plug	INX3143-125	Metal Plug	INX3147-125	Aluminum	INX6550A
Plastic Plug	INX3103-125	Plastic Plug	INX3105-125		
<b>GASKET</b>	GKT6094	<b>BOXES</b>		<b>ADAPTERS</b>	
		Marine Brass	INX6030B	2P3W 125v to 5-20R	INX3242PR-125
<b>CAPS</b>		Aluminum	INX6030A	2P3W 250v to 6-20R	INX3242PR-250
Marine Brass	INX8013B				
Aluminum	INX8013A				