



FEATURES

- ▼ Single pin and sleeve type plug and receptacle.
- ▼ Plugs and receptacles are designed for up to a 2/0 or .473 diameter cable at 300 Amp max.
- ▼ 300 Amp 250v DC or 600v AC single or double receptacles.
- ▼ Corrosion resistant enclosures in cast marine brass or copper free aluminum.
- ▼ All units have high impact nylon interior bodies with silver plated marine brass contacts.
- ▼ 5 year warranty.

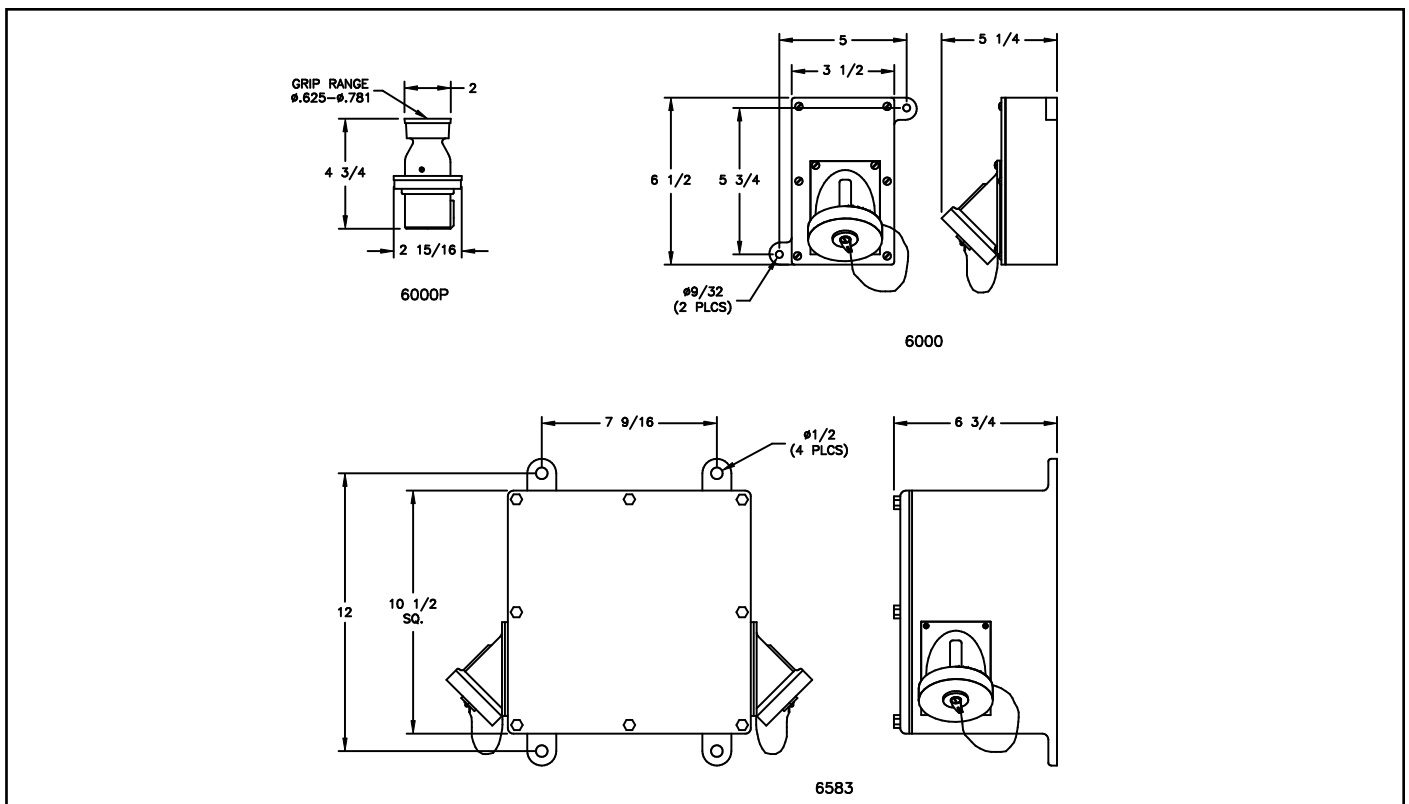
APPROVALS

- ▼ ABS
- ▼ Type 4X
- ▼ Conforms to IP 66

APPLICATIONS

- ▼ Marine environments
- ▼ Offshore oil and gas platforms
- ▼ Drill ships and exploration vessels
- ▼ Tankers
- ▼ Salvage/recovery vessels
- ▼ Construction yards

DIMENSIONS



Dimensions in inches

TECHNICAL SPECIFICATIONS

HOUSING

Cast marine brass with a natural finish.

HARDWARE

Stainless steel.

MOUNTING

Units are mounted using two or four mounting holes.

VOLTAGE OPERATION

300 Amp 250v DC or 600v AC in a single or double outlet.

RECEPTACLES AND PLUGS

High impact interior bodies with copper free silver plated marine brass contacts. Both the plug and receptacle are designed for up to a 2/0 welding cable of .473 diameter. Single pin and sleeve type design.

ORDERING REFERENCES

MARINE WATERTIGHT WELDING RECEPTACLES AND PLUGS		
DESCRIPTION	MARINE BRASS WEIGHT (lbs)	MARINE BRASS (B) TYPE
Single Receptacle	7.5	6000B
Double Receptacle	44.0	6583B
Plug	2.8	6000BP

SPARE PARTS			
ANGLE COVER GASKETS		BOX GASKETS	
Single Receptacle	GKT4005	Single Receptacle	GKT5057
Double Receptacle	GKT4005	Double Receptacle	GKT4003
RECEPTACLE CAPS		PLUG CAPS	
Marine Brass	INX8014B	Marine Brass	INX6565B
INTERIORS			
Receptacle	INX3047		
Plug	INX3048		