



FEATURES

- ▼ Corrosion resistant enclosures cast marine brass or copper free aluminum.
- ▼ Stainless steel hardware.
- ▼ Supplied in 20 Amp 120/240v AC, 1 HP at 120v AC or 2 HP at 240v AC. Rotary or 10 Amp 250v, 20 Amp 125v, 1/2 HP toggle type switch.
- ▼ Round or Square box types in surface or flush mounting.
- ▼ Double pole switches supplied as standard.
- ▼ 5 year warranty.

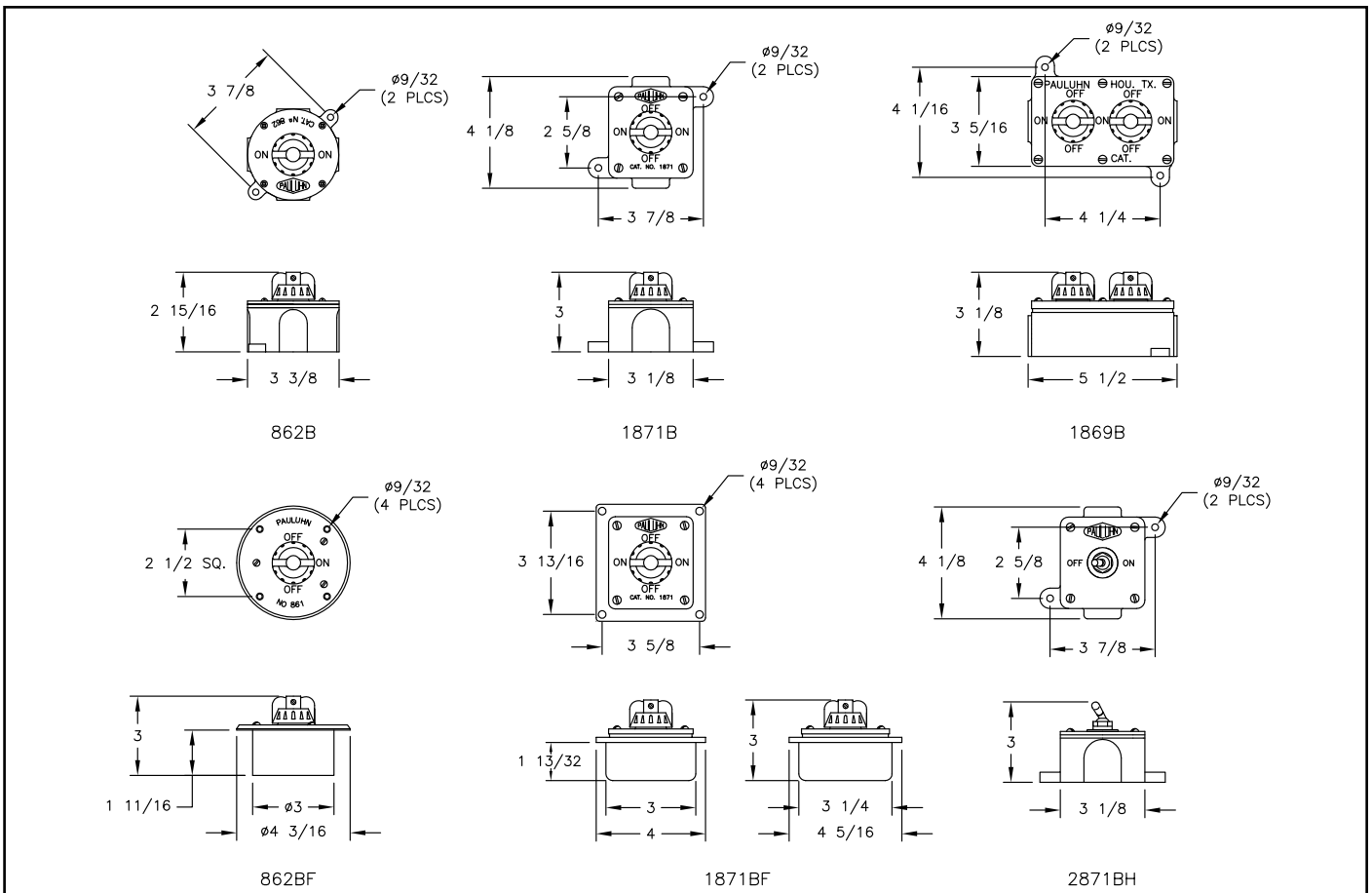
APPROVALS

- ▼ ABS
- ▼ Type 4X
- ▼ Conforms to IP

APPLICATIONS

- ▼ Marine and wet environments
- ▼ Offshore oil and gas platforms
- ▼ Drill ships and exploration vessels
- ▼ Tankers
- ▼ Ferries/Passenger Ships

DIMENSIONS



Dimensions in inches



MARINE, OUTSIDE AND CORROSIVE ENVIRONMENTS WATERTIGHT ROTARY SWITCH BOXES

TECHNICAL SPECIFICATIONS

HOUSINGS

Cast marine brass or copper free aluminum with a natural finish.

HARDWARE

Stainless steel.

OUTLETS

All units are furnished blank. Square box units can be supplied with up to two $\frac{3}{4}$ " NPT entries while round box types can be supplied with up to four $\frac{3}{4}$ " NPT entries.

VOLTAGE OPERATION

20 Amp 120/240v AC, 1 HP at 120v AC or 2 HP at 240v AC. For rotary type switches or 10 Amp 250v, 20 Amp 125v 1 $\frac{1}{2}$ HP toggle type switch.

ORDERING REFERENCES

MARINE WATERTIGHT ROTARY SWITCH BOXES					
DESCRIPTION	MARINE BRASS WT (lbs)	ROTARY MARINE BRASS TYPE (B)	ROTARY ALUMINUM TYPE (A)	TOGGLE MARINE BRASS TYPE (B)	TOGGLE ALUMINUM TYPE (A)
Surface Mount Round Box	2.1	862B	862A	862BH	862AH
Surface Mount Round Box With Three-way Switch		N/A	N/A	878BH	878AH
Surface Mount Square Box With Three-way Toggle		N/A	N/A	2871BH	2871AH
Surface Mount Square Box	3.2	1871B	1871A	1871BH	1871AH
Surface Mount Two Gang Box	4.5	1869B	1869A	1869BH	1869AH
Flush Mount Round Box	3.0	862BF	862AF	862BFH	862AFH
Flush Mount Square Box	4.0	1871BF	1871AF	1871BFH	1871AFH

SPARE PARTS					
ROTARY COVERS		MARINE BRASS (B) ALUMINUM (A)		SWITCHES	
Surface Mount Round Box	INX6509B	INX6509A		Double Pole Rotary	INX3192
Surface Mount Square Box	INX6510B	INX6510A		3-Way Toggle	INX3018
Surface Mount Two Gang Box	INX6511B	INX6511A		KNOB AND SHAFT ASSEMBLY FOR ROTARY TYPE	
Flush Mount Round Box	INX6512B	INX6512A		Marine Brass	INX8002B
Flush Mount Square Box	INX6510B	INX6510A		Aluminum	INX8002A
				Boot for Toggle	INH0003
TOGGLE TYPE COVERS		MARINE BRASS (B) ALUMINUM (A)		GASKETS - For All	
Surface Mount Round Box	INX6513B	INX6513A		Surface Mount Round Box	GKT3001
Surface Mount Square Box	INX6510BH	INX6510AH		Surface Mount Square Box	GKT4000
Surface Mount Two Gang Box	INX6511BH	INX6511AH		Surface Mount Two Gang Box	GKT5001
Flush Mount Round Box	INX6509BH	INX6509AH		Flush Mount Round Box	GKT2007
Flush Mount Square Box	INX6510BH	INX6510AH		Flush Mount Square Box	GKT4000
BOXES for All Types		MARINE BRASS (B) ALUMINUM (A)			
Surface Mount Round Box	INX6001B	INX6001A			
Surface Mount Square Box	INX6002B	INX6002A			
Surface Mount Two Gang Box	INX6003B	INX6003A			
Flush Mount Round Box	INX6004B	INX6004A			
Flush Mount Square Box	INX6005B	INX6005A			