



FEATURES

- ▼ Single throw double pole snap switch.
- ▼ Corrosion resistant enclosures in heavy cast marine brass.
- ▼ Surface mount type.
- ▼ Available in 15 Amp 120v AC, 10 Amp 24v DC, 2 Amp 125v DC, 20 Amp 600v AC, 15 Amp 24v DC or 5 Amp 125v DC dependant on type.
- ▼ 5 year warranty.

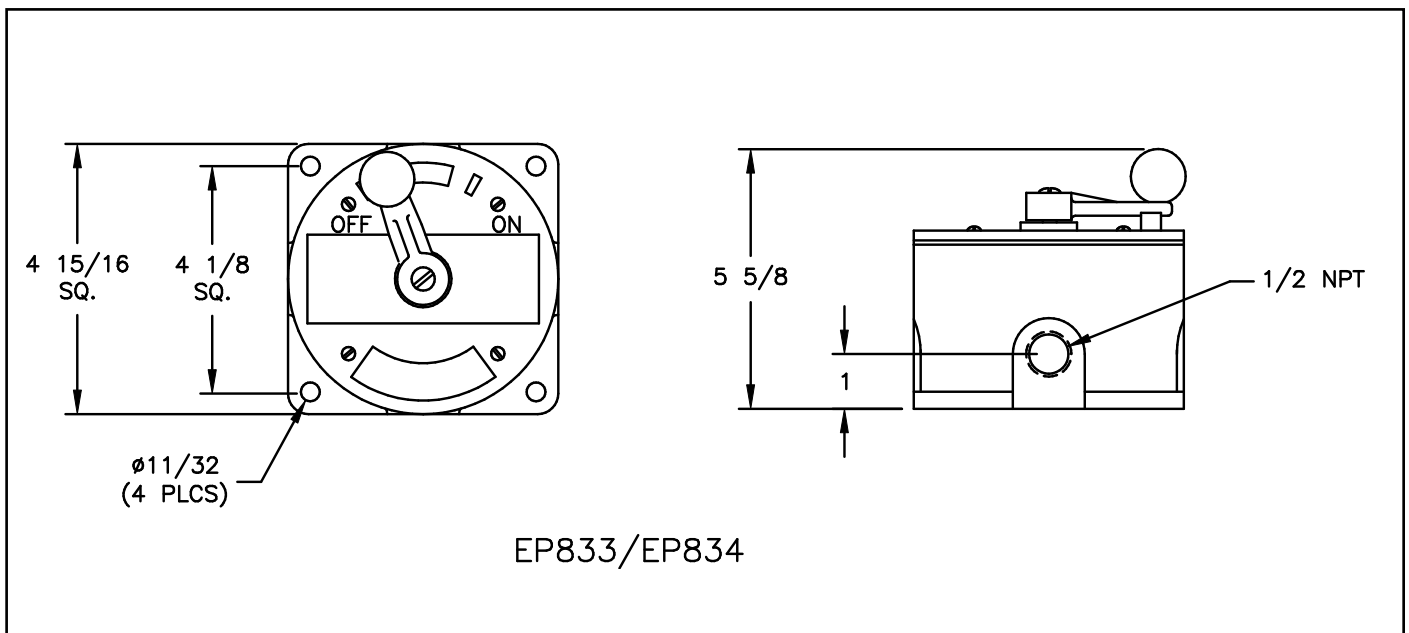
APPROVALS

- ▼ UL 698 - Industrial Control Equipment F/Hazardous Location
- ▼ Class I Division 1 Groups C & D
- ▼ UL 98 - Enclosed and Dead Front Switches
- ▼ ABS
- ▼ Conforms to IP 66

APPLICATIONS

- ▼ Hazardous Locations
- ▼ Offshore oil and gas platforms
- ▼ Drill ships and exploration vessels
- ▼ Tankers
- ▼ Ferries/Passenger Ships

DIMENSIONS



Dimensions in inches



**EXPLOSION PROOF CLASS I DIVISION 1
WATERTIGHT GENERAL ALARM CONTACT MAKER**

TECHNICAL SPECIFICATIONS

HOUSING

Cast marine brass with a natural finish.

HARDWARE

Stainless steel for all types.

OUTLETS

All units are furnished with one 1/2" NPT outlet but can be supplied with up to four 3/4" NPT outlets. Please state requirements on application.

SWITCHES

Both units have double pole single throw switches which are spring loaded.

VOLTAGE OPERATION

EP833 unit is rated for operation on 15 Amp 125v AC, 10 Amp 24v DC or 2 Amp 125v DC. The EP834 unit is rated for operation on 20 Amp 600v AC, 15 Amp 24v DC or 5 Amp 125v DC.

MOUNTING

Surface mounted via four 11/32" Ø mounting holes.

ORDERING REFERENCES

GENERAL ALARM CONTACT MAKERS		
DESCRIPTION	WEIGHT (lbs)	MARINE BRASS TYPE
15 Amp 120v AC Surface Mount	10.0	EP833
20 Amp 600v AC Surface Mount	10.0	EP834

SPARE PARTS			
BOX	INX6040B	INTERIOR SWITCHES EP833 EP834	
HANDLE	INX8017B		INX3058 INX3118EP
"O" RING	GKT1041		