



FEATURES

- ▼ Receptacles are rated for operation on 125v AC or optional 250v AC.
- ▼ Choice of corrosion resistant enclosures in cast marine brass or copper free aluminum.
- ▼ Internal activation switch is rated at 20 Amp 2 H.P. at 115-575v AC 2 and 3 phase.
- ▼ Unique design has no levers and only one moving part for superior reliability.
- ▼ Built in safety feature ensures the plug can only be inserted into the receptacle while the unit is switched off and can not be removed while the unit is energized.
- ▼ Available in 2P3W and 3P4W pin and sleeve Pauluhn type configurations.
- ▼ 5 year warranty.

APPROVALS

- ▼ UL 1010
- ▼ Class I Division 1 Groups C & D
- ▼ Class II Division 1 Groups F & G
- ▼ ABS
- ▼ Conforms to IP 66

APPLICATIONS

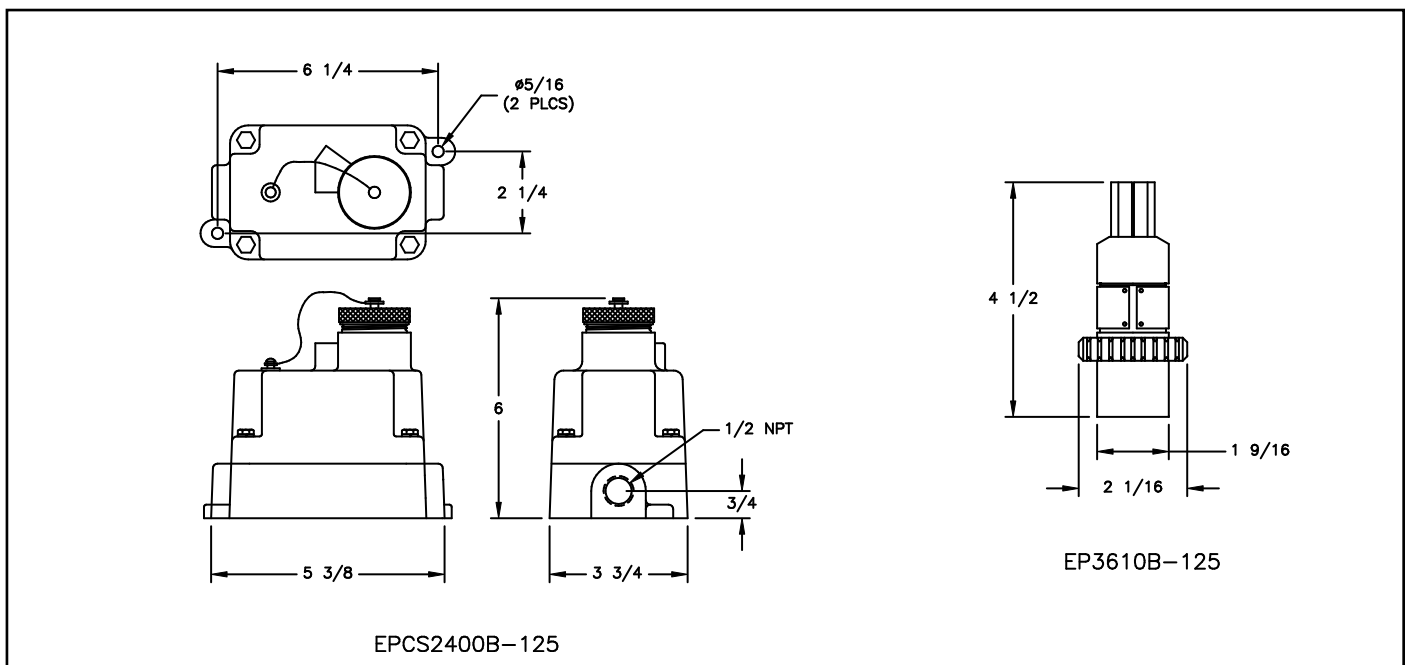
- ▼ Hazardous locations
- ▼ Offshore oil and gas exploration and production
- ▼ Marine and wet environments
- ▼ Natural gas processing
- ▼ Fuel dispensing facilities
- ▼ Grain Elevators
- ▼ Coal Mines

OPTIONS

To obtain a luminaire with one of the following options listed add the following suffix (not all options can be combined):

- ▼ 250v -250 (replace-125 suffix)

DIMENSIONS



Dimensions in inches



EXPLOSION PROOF CLASS I DIVISION 1 INTERLOCKING PLUGS AND RECEPTACLES

TECHNICAL SPECIFICATIONS

HOUSING

Cast marine brass or natural copper free aluminum.

HARDWARE

Stainless steel.

MOUNTING

Units are mounted using two $\frac{5}{16}$ " \varnothing mounting holes.

OUTLETS

All units are supplied with one $\frac{1}{2}$ " NPT entry as standard. The units can be supplied with up to two $\frac{3}{4}$ " NPT entries. Please state requirements on application.

SWITCHES

Internal activation switch is rated for operation on 20 Amp 2 HP at 115-575v AC, 2 and 3 phase.

RECEPTACLES

Pin and sleeve Pauluhn type configurations rated for operation on 125v AC as standard. A 250v AC unit is available as an option. Added safety feature ensures the plug cannot be removed while the unit is energized and can only be inserted while the unit is switched off.

ORDERING REFERENCES

EXPLOSION PROOF INTERLOCKING PLUGS AND RECEPTACLES				
DESCRIPTION	MARINE BRASS TYPE (B)	MARINE BRASS WEIGHT (lbs)	ALUMINUM TYPE (A)	ALUMINUM WEIGHT (lbs)
2 Pole 3 Wire Receptacle	EPCS2400B-125	17.5	EPCS2400A-125	7.0
3 Pole 4 Wire Receptacle	EPCS2401B-125	17.5	EPCS2401A-125	7.0
2 Pole 3 Wire Plug	EP3610B-125	2.0	EP3610A-125	2.0
3 Pole 4 Wire Plug	EP3611B-125	2.0	EP3611A-125	2.0

SPARE PARTS				
BOXES Marine Brass Aluminum	INX6109B	RECEPTACLE INTERIORS	125v 2 Pole 3 Wire	250v INX3619-250
	INX6109A		3 Pole 4 Wire	INX3217-250
SWITCH	INX3216	PLUG INTERIORS	125v 2 Pole 3 Wire	250v INX3143-250
CAP Marine Brass Aluminum	INX8070B INX8070A		3 Pole 4 Wire	INX3147-250