

INX1502/INX1506/INX1508

MARINE, OUTSIDE AND CORROSIVE ENVIRONMENTS
WATERTIGHT CABLE GLANDS

1-800-826-5890 USA
1-888-675-5483 Canada
www.pauluhn.com

209



FEATURES

- ▼ Corrosion resistant glands in marine brass or copper free aluminum.
- ▼ Hex nut arrangement gives added grip for easy tightening or loosening.
- ▼ Supplied complete with neoprene grommets.
- ▼ Designed to grip cable and create a watertight seal around the cable entrance into a junction box or bulkhead.
- ▼ 5 year warranty.

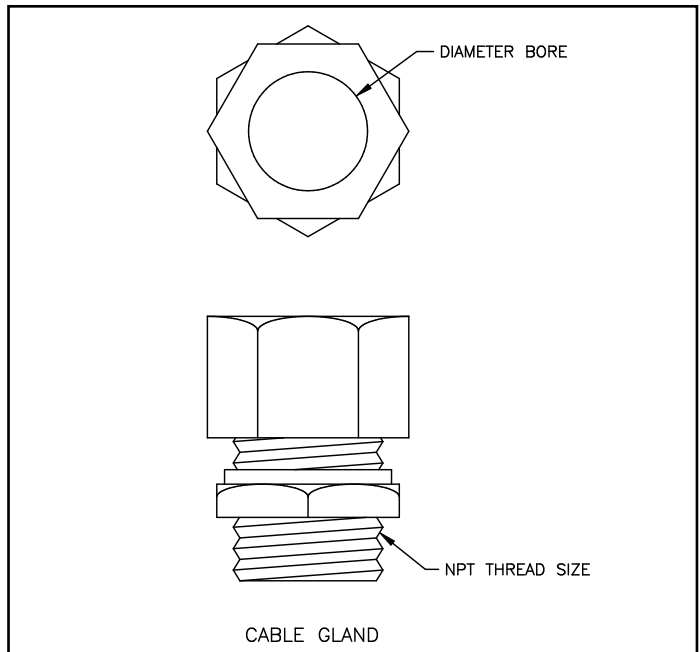
APPROVALS

- ▼ ABS
- ▼ Type 4X
- ▼ Conforms to IP 66

APPLICATIONS

- ▼ Marine and wet environments
- ▼ Offshore oil and gas platforms
- ▼ Drill ships and exploration vessels
- ▼ Portable cords
- ▼ MV unarmored cable
- ▼ PLTC (round)/TC Cable
- ▼ SE and UF cable
- ▼ SO, SEO and SOW type cable

DIMENSIONS



Dimensions in inches

ORDERING REFERENCES

MARINE WATERTIGHT CABLE GLANDS

DESCRIPTION	NPT SIZE	GROMMET NO	Ø BORE	GRIP RANGE	BRASS (B)	ALUMINUM (A)
Cable Gland	1/2"	GKT7018	0.562	.312-.375	INX1502BCG	INX1502ACG
		GKT7019		.375-.437		
		GKT7020		.437-.500		
Cable Gland	3/4"	GKT7021	0.750	.437-.562	INX1506BCG	INX1506ACG
		GKT7022		.562-.687		
		GKT7023		.687-.750		
		GKT7024		.750-.875		
Cable Gland	1"	GKT7025	1.00	.812-.937	INX1508BCG	INX1508ACG



ORDERING REFERENCES

HALF SHADES

DESCRIPTION	BRASS TYPE	ALUMINUM TYPE
6" Half Shade	INX4533B	INX4533A
7" Half Shade	INX4537B	INX4537A

PLUGS

DESCRIPTION	STAINLESS STEEL TYPE	BRASS TYPE	ALUMINUM TYPE
1/2" Plug	INX8051SS	INX8051B	INX8051A
3/4" Plug	INX8052SS	INX8052B	INX8052A
1" Plug	INX8053SS	INX8053B	INX8053A
1 1/4" Plug	N/A	INX8054B	INX8054A
1 1/2" Plug	N/A	INX8055B	INX8055A