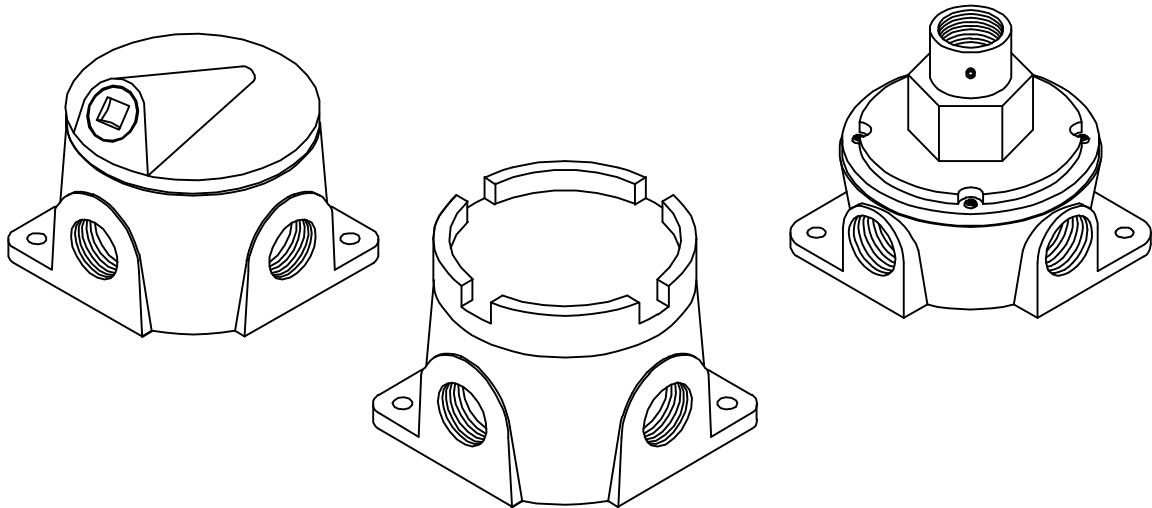




Lighting Products

- CSA - Class I Div. 1 - Groups C & D *
- CSA - Class I Div. 2 - Groups A, B, C, & D
- CSA - Class I Zone 1 - Groups IIA, IIB *
- CSA - Class I Zone 2 - Groups IIA, IIB & IIC
- CSA - Class II Div. 1 & 2 - Groups E, F & G
- CSA - Class III
- CSA - Type 3
- CSA - Type 4

* Applies to "GUI" boxes only



Explosion Proof & Hazardous Area Junction Boxes

Features:

- Heavy-duty copper free (below 0.04%) **cast aluminum construction.**
- **Explosion proof** boxes available with **internal or external cover threads.**
- A choice of **three covers offered:** blank, sealing (explosion proof only) and hanger.
- **Hazardous area box** is standard with **screw down cover.**
- All models available with **four standard 1/2" or 3/4" npt. hubs** (5th hub in back optional).
- Models standard with **internal mounting rail** for optional terminal blocks.
- **External mounting feet** for easy installation.
- **Hub height** allows the installation of cable connectors without the use of spacers
- **Cover gasket** allows for the use of the box in watertight or wash-down applications (Type 4).

Applications:

- | | |
|---|--|
| <ul style="list-style-type: none"> ■ Pulp and paper mills ■ Mining facilities ■ Gas processing plants ■ Grain handling facilities | <ul style="list-style-type: none"> ■ Oil drilling rigs (land and offshore) ■ Oil refineries ■ Bulk storage facilities ■ Chemical manufacturing and processing plants |
|---|--|

JUS

Hazardous Area Junction Box

- CSA - Class I Div. 2 - Groups A, B, C, & D
- CSA - Class I Zone 2 - Groups IIA, IIB & IIC
- CSA - Class II Div. 1 & 2 - Groups E, F & G
- CSA - Class III
- CSA - Type 3
- CSA - Type 4



Catalog Number Logic

JUS **4** - **1** - **B** **XX**

(1) (2) (3) (4) (5)

(1) Junction Box Type "JUS"

Hazardous area, watertight, aluminum junction box with universal hubs and screw cover.

(2) Number of Hub Entries

- 4** - 4 entries
(2 pipe plugs supplied)
- 5** - 5 entries (additional back hub entry)
(3 pipe plugs supplied)

(3) Hub Size

- 1** - 1/2" npt.
- 2** - 3/4" npt.

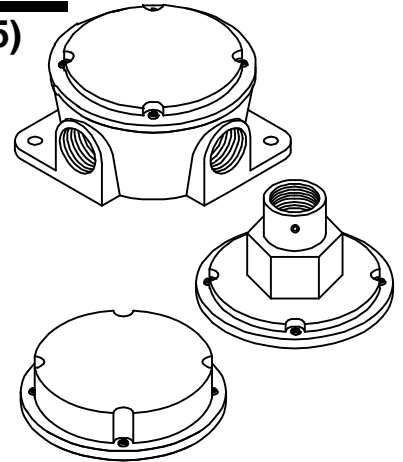
(4) Covers

- B** - Blank cover
- D** - Deep blank cover
- P1** - Pendant hanger cover (1/2" npt.)
- P2** - Pendant hanger cover (3/4" npt.)

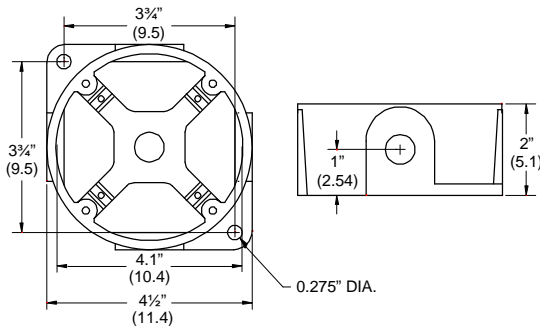
(5) Options

- CR** - Corrosion resistant polyester powder-coat paint.
(available for aluminum or malleable iron)

- TB*** - Terminal block #10 awg., 600 VAC max. c/w mounting rail.
*add suffix for number required (6 max.)



Dimensions & Accessories



Quantity Per Carton	*Weight Per Each lbs (kg.)	Size of Carton ft ³ (m ³)
5	1.6 (0.73)	0.4 (0.012)

Part Type	Part No.	Quantity Per Carton	Weight lbs. (kg.)
Blank cover 	JUS-*BC	5	0.5 (0.23)
Deep blank cover 	JUS-*DC	5	0.75 (0.34)
Pendant hanger cover 	JUS-*HC	5	0.68 (0.31)

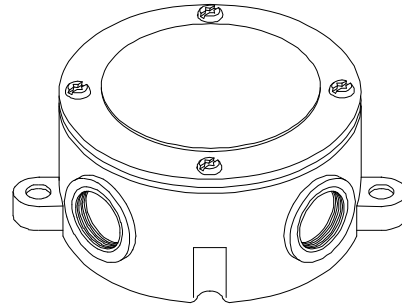
JUS-N

Non Metallic Junction Box (General Use only, Product is not CSA or UL approved)

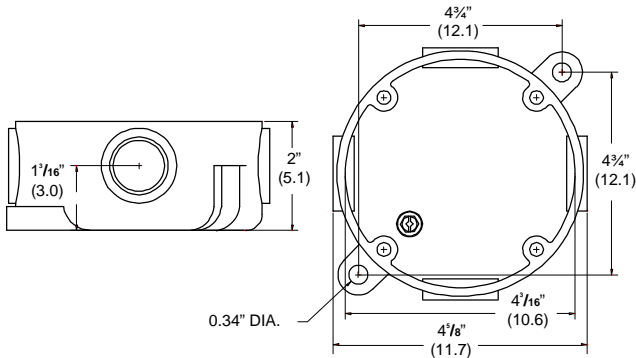
Catalog Number Logic

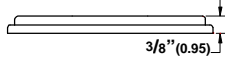
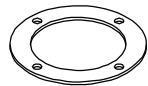
JUS4 - **2** - **B**
 (1) (2) (3) (4)

- (1) **Junction Box Type "JUS"**
 Watertight, non metallic junction box with universal hubs and screw cover.
- (2) **Number of Hub Entries**
 4 - 4 entries
 (2 pipe plugs supplied)
- (3) **Hub Size**
 2 - 3/4" npt.
- (4) **Covers**
 B- Blank cover (Can be field tapped to 3/4")



Dimensions & Accessories (non-metallic)



Part Type	Part No.	Quantity Per Carton	Weight lbs. (kg.)
Blank Cover 	JUS-NBC	5	0.5 (0.23)
Gasket 	JUS-G	10	0.1 (0.05)

Quantity Per Carton	*Weight Per Each lbs (kg.)	Size of Carton ft ³ (m ³)
5	1.2 (0.55)	0.4 (0.012)

Note: Covers include gasket and four screws for mounting to box.

* Weight shown is for box complete with blank cover.