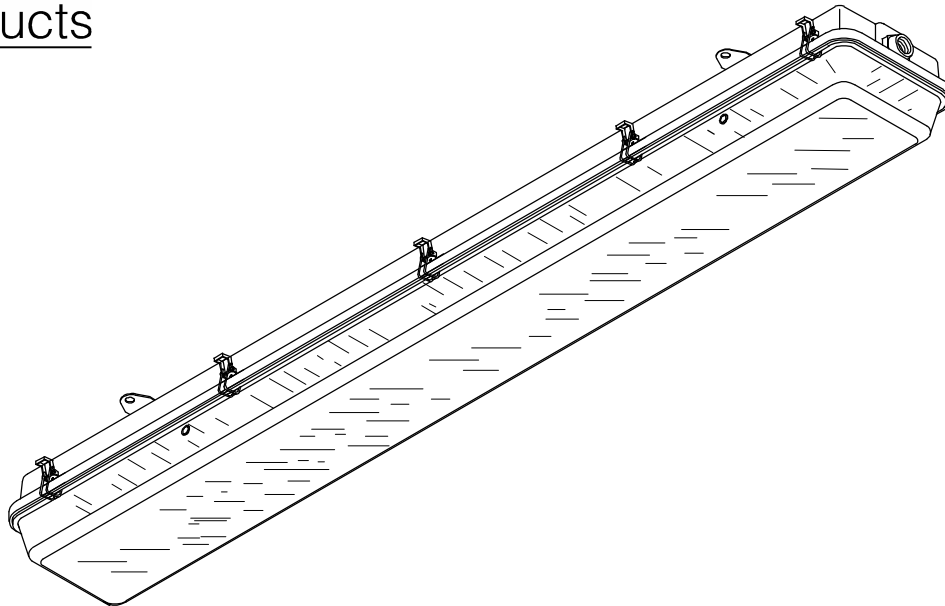




Lighting Products

- CSA - Class I Div. 2 - Groups A, B, C & D
- CSA - Class I Zone 2 - Groups IIA, IIB & IIC
- CSA - Class II Div. 2 - Groups F & G
- CSA - Class III, Type 4 Enclosure
- UL 844 - Class I, Div. 2 - Groups A, B, C & D
- UL - Outdoor Marine Type (Salt Water)
- UL 1572, Suitable for Wet Locations
- IP66 to EN 60529
- UL - Type 4X



SeaPro

Corrosive and Hazardous Area Fluorescent

Features:

- **Three models** to choose from, **fiberglass, stainless steel or aluminum.**
- **Standard stainless steel catches** offer durability and a continuous **watertight** seal.
- Standard **high impact acrylic lens** with maximum light distribution.
- **Optional polycarbonate lens** for added protection.
- **Integral stainless steel mounting feet** eliminate the need for optional mounting kits.
- **Neoprene gasket** permanently secured into lens.
- **Spring-loaded sockets** on HO models provide maximum shock absorption and positive contact.
- **Wide lumen pattern** (200 degrees) suitable for general lighting purposes.
- Available in standard **feed-thru or optional pendant** hub design.
- **2 and 4 foot models** with 2 or 3 lamp T5/T8 or 2 lamp T12 designs.
- **Compact fluorescent** 2 lamp, 2 foot & 4 lamp, 4 foot models.
- **Optional emergency battery backup** models available.

Applications:

- | | |
|----------------------------|----------------------------------|
| ■ Marine applications | ■ Offshore production facilities |
| ■ Processing plants | ■ Chemical storage areas |
| ■ Petrochemical facilities | ■ Lubrication pits & wash bays |
| ■ Waste treatment plants | ■ Dairy and livestock facilities |

SeaPro

Catalog Number Logic

SP P 4 - 3 1 1 0 U - **
(1) (2) (3) (4) (5) (6) (7) (8) (9)

(1) Series - SeaPro "SP"

Watertight / hazardous area, heavy-duty fluorescent fixture with several housing options and standard diffused acrylic drop style lens.

(2) Housing

A - Aluminum, polyester powder coated
P - Fiberglass reinforced polyester
S - Stainless steel, type 316

(3) Length (nominal)

2 - 2 foot
4 - 4 foot

(4) Number of Lamps

1 - For 1 lamp
2 - For 2 lamps
3 - For 3 lamps (ballast type 1 & 5 only)
4 - For 4 lamps (4 foot unit, ballast type 2 only)

(5) Ballast Type

1 - 265 mA, T8 (2ft 17w or 4ft 32w)
(0° F & -18° C starting temp, 50/60Hz electronic ballast)
2 - 270 mA, 2G11 (2ft or 4ft 40w compact fluorescent)
(0° F & -18° C starting temp, 50/60Hz electronic ballast)
4 - 430 mA, T12, RS (4ft 40w)
(+50° F & +10° C starting temp, magnetic ballast)
5 - T5, HO, IS (2ft 24w or 4ft 54w)
(0° F & -18° C starting temp, 50/60Hz electronic ballast)
8 - 800 mA, T12, RS, HO (2ft 35w or 4ft 60w)
(-20° F & -29° C starting temp, magnetic ballast)

(6) Voltage / Frequency

1 - 120 Volt 60 Hz
2 - 220 Volt 50 Hz (T12 magnetic only, not CSA listed)
3 - 220 to 240 Volt 50/60 Hz.(ballast types 1 & 2 only)
4 - 240 Volt 60 Hz (T12 magnetic only)
5 - 277 Volt 60 Hz
6 - 347 Volt 60 Hz **
7 - 120 to 277 Volt 50/60 Hz (ballast type 1 only)

(7) Mounting Style

0 - Feed-thru 3/4" hubs c/w stainless steel mounting brackets, standard design
1 - Pendant mount, two 3/4" hubs
(not available in 2 foot models)

(8) Labels:

C - CSA (C/US)
U - UL
W - UL - Marine only

(9) Special Options

EM1 - Emergency unit, all areas, 700 lumen, 277V max. *
EM2 - Emergency unit, 700 Lumen UL Marine Approved only
EM3 - Emergency unit, 1200 Lumen UL Marine Approved only
L - Lamps (energy saving except on HO)
P - Polycarbonate lens
S - Switch, power, on/off *
SD - Switch, emergency battery disconnect *
T - Terminal blocks (wire thru design)

Notes:

- Lamps are not included.**
- All emergency units have integral test switch and charging circuit indicator lamp.**
- * Limited availability, consult factory.**
- ** CSA (C/US) approved only.**
- Consult factory for any catalog number or options not listed above for price and availability.**

SeaPro

Ordering Guide

Standard FRP Models, Lamps not Included

Fixture Length	Ballast Type	Lamp Type	No. of Lamps	Raw Lumen Output	Catalog Number
Two Foot	Electronic	F17T8	2	2,393	SPP2-2110C
			3	2,393	SPP2-3110C
		F24T5/HO	2	4,000	SPP2-2510C
		FT40W/2G11	2	6,300	SPP2-2210C
	Magnetic	F24T12/HO	2	2,689	SPP2-2810C
Four Foot	Electronic	F32T8	2	6,962	SPP4-2110C
			3	10,443	SPP4-3110C
		FT40W/2G11	4	12,600	SPP4-4210C
		F54T5	3	15,000	SPP4-3510C
	Magnetic	F48T12/HO	2	6,885	SPP4-2810C

Standard Painted Aluminum Models, Lamps not Included

Fixture Length	Ballast Type	Lamp Type	No. of Lamps	Raw Lumen Output	Catalog Number
Two Foot	Electronic	F17T8	2	2,393	SPA2-2110C
			3	2,393	SPA2-3110C
		F24T5/HO	2	4,000	SPA2-2510C
		FT40W/2G11	2	6,300	SPA2-2210C
	Magnetic	F24T12/HO	2	2,689	SPA2-2810C
Four Foot	Electronic	F32T8	2	6,962	SPA4-2110C
			3	10,443	SPA4-3110C
		FT40W/2G11	4	12,600	SPA4-4210C
		F54T5/HO	3	15,000	SPA4-3510C
	Magnetic	F48T12/HO	2	6,885	SPA4-2810C

Standard Stainless Steel Models, Lamps not Included

Fixture Length	Ballast Type	Lamp Type	No. of Lamps	Raw Lumen Output	Catalog Number
Two Foot	Electronic	F17T8	2	2,393	SPS2-2110C
			3	2,393	SPS2-3110C
		F24T5/HO	2	4,000	SPS2-2510C
		FT40W/2G11	2	6,300	SPS2-2210C
	Magnetic	F24T12/HO	2	2,689	SPS2-2810C
Four Foot	Electronic	F32T8	2	6,962	SPS4-2110C
			3	10,443	SPS4-3110C
		FT40W/2G11	4	12,600	SPS4-4210C
		F54T5/HO	3	15,000	SPS4-3510C
	Magnetic	F48T12/HO	2	6,885	SPS4-2810C

Notes: Catalog number shown is for a fiberglass reinforced polyester housing c/w ¾" feed-thru hubs.

For mounting style "1" (pendant) change last number "0" to "1"

*Add "C" for CSA (C/US), "U" for UL listed, "W" for UL marine approval.

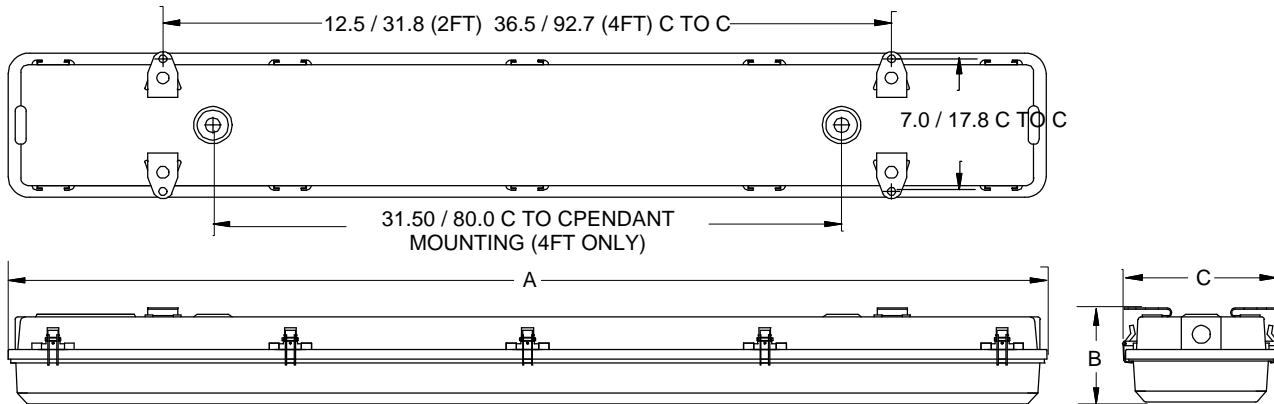
SeaPro

Certification Guide

Magnetic ballast approved for 40C ambient Electronic ballast approved for 55C ambient		Class I Div. 2 Groups A, B, C & D		Class I Zone 2 Groups IIA, IIB & IIC		Class II Div. 2 Class III	
Ballast Type	No. of Lamps	Approval	T-Rating	Approval	T-Rating	Approval	Groups
Electronic, T5, HO, IS	2 & 3	CSA/UL	T4	CSA	T4	CSA	F & G
Electronic, 265mA, T8, RS	2 & 3	CSA/UL	T5	CSA	T5	CSA	F & G
Electronic, 270mA, 2G11, RS	2 & 4	CSA	T5	CSA	T5	CSA	F & G
Magnetic, 430mA, T12, RS	2	CSA/UL	T5	CSA	T5	CSA	F & G
Magnetic, 800mA, T12, HO	2	CSA/UL	T4	CSA	T4	CSA	F & G

For detailed test results and approvals consult factory

Mounting & Dimensions

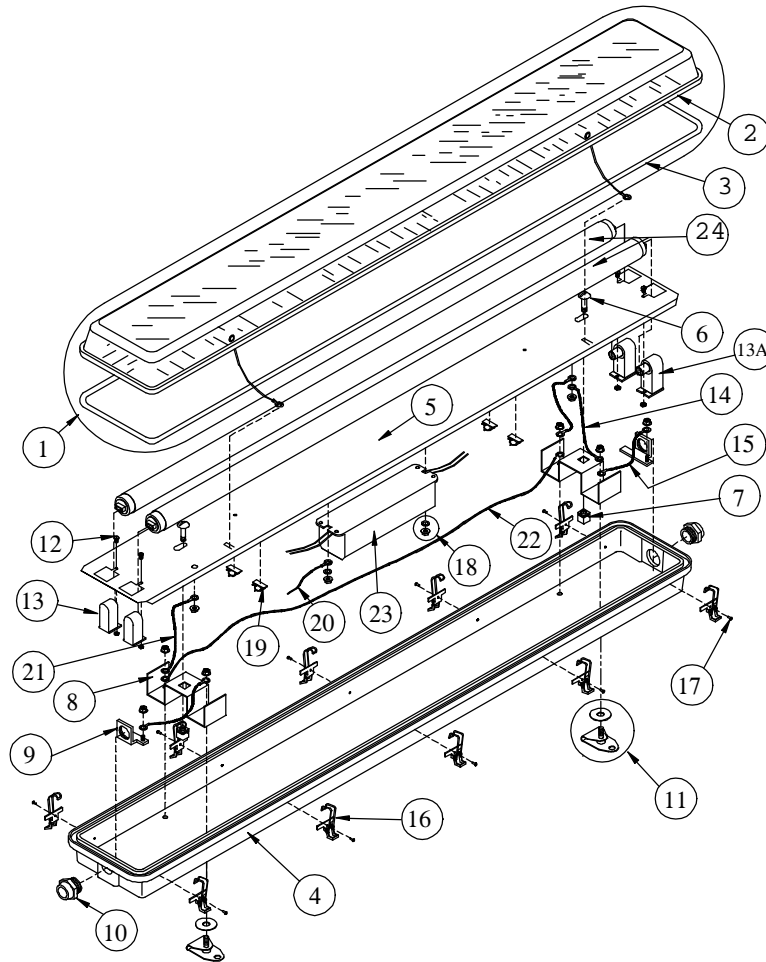


Nominal Length	Dimensions in Inches / Centimeters			Cubic Size Feet / Meter	Weight lb. / kg
	A	B	C		
2 Foot	29.0 / 73.7	5.0 / 12.7	7.625 / 19.4	1.31 / 0.0371	11.75 / 5.32
4 Foot	53.0 / 134.6	5.0 / 12.7	7.625 / 19.4	2.34 / 0.0663	17.25 / 7.84

Weights shown are for HO models
Deduct 2 lbs. / 0.9 kg. for all other ballast types

SeaPro

Parts List



Item No.	Part No.	Description	No Req'd	Item No.	Part No.	Description	No Req'd
1	009-4000	Lens and gasket assembly, 4 ft model	1	9	009-0012	Hub support plate, FRP models	2
1*	009-2000	Lens and gasket assembly, 2 ft model	1	10	360-0750	Hub, 3/4" npt.	2
2	009-4100	Lens only, acrylic, for all 4 foot models	1	11	009-0011	Mounting foot & gasket, for all models	4
2*	009-2100	Lens only, acrylic, for all 2 foot models	1	12	380-8320	Mounting hardware for sockets, all models	2, 4 or 6
3	009-4200	Gasket, for all 4 foot models	1	13	758-0700	Socket, RDC, fixed for all HO models	1 or 2
3*	009-2200	Gasket, for all 2 foot models	1	13A	758-0701	Socket, RDC, spring loaded for all HO models	1 or 2
4	009-4800	Housing, 4 foot Aluminum model	1	13*	754-0084	Socket, bi-pin, solid, all T5/T8/T12 models	1, 2 or 3
4*	009-2400	Housing, 2 foot Aluminum model	1	13*	754-0085	Socket, bi-pin, spring loaded, all T8 / T12 models	1, 2 or 3
4*	009-4801	Housing, 4 foot FRP model	1	13*	752-6050	Socket, 2G11 base, compact fluorescent	2, 4 or 6
4*	009-2401	Housing, 2 foot FRP model	1	14	381-0001	Ground wire to reflector	2
4*	009-4802	Housing, 4 foot Stainless steel model	1	15	381-0902	Ground wire to hub entry	2
4*	009-2402	Housing, 2 foot Stainless steel model	1	16	009-0601	Catch, stainless steel	6 or 10
5	009-4308	Reflector plate, 4 ft. HO model	1	17	009-1067	Rivet, closed end, for all models	6 or 10
5*	009-4304	Reflector plate, 4 ft. models, except HO	1	18	302-1000	Nut & star washer for ballast mounting	2
5*	009-4302	Reflector plate, 4 ft. 2G11 CF model	1	19	381-0001	Wire clips, plastic	4
5*	009-2308	Reflector plate, 2 ft. HO model	1	20	381-0900	Ground wire, for all models	1
5*	009-2304	Reflector plate, 2 ft. models, except HO	1	21	009-0009	Reflector support wire (shorter of the two)	2
5*	009-2302	Reflector plate, 2 ft. 2G11 CF model	1	22	381-0901	Ground jumper wire	1
6	399-0100	Screw, reflector plate, for all models	2	23		Ballast (See ballast chart for type)	1 or 2
7	399-0110	Insert nut, spring loaded, for all models	2	24		Lamps (See lamp chart for type)	2, 3 or 4
8	009-0010	Support bracket, for all models	2				

* Item not shown in drawing